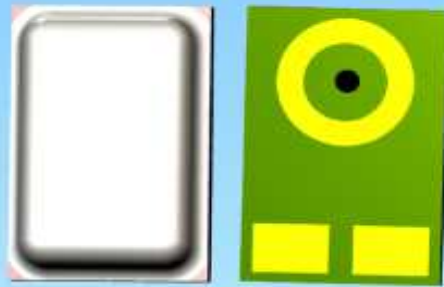


页码	尺寸规格	基本型号	指向性		连接方式			标准测试条件	灵敏度	内置电容
	(mm)		全方向	单方向	SMD	Soldering Type	Pin Type		(dB)	
1	2.75×1.85×0.90	TSMA-2718B	◎		◎			2.0V,2.2KΩ	-35~-41	/
2	3.76×2.95×1.10	TSMA-3729F	◎		◎			2.0V,2.2KΩ	-39~-45	/
3	2.30×1.40×1.00	TSMA-2314F	◎		◎			2.0V,2.2KΩ	-39~-45	/
4	3.76×2.24×1.10	TSMA-3722F	◎		◎			2.0V,2.2KΩ	-39~-45	/
5	3.76×2.95×1.10	TSMA-3729B	◎		◎			2.0V,2.2KΩ	-35~-41	/
6	3.76×2.95×1.10	TSMA-3729F	◎		◎			2.0V,2.2KΩ	-35~-41	/
7	2.75×1.85×0.95	TSMA-2718F	◎		◎			2.0V,2.2KΩ	-39~-45	/
8	2.40×1.80×1.10	TSMA-2418F	◎		◎			2.0V,2.2KΩ	-35~-41	/
9	3.50×2.65×0.98	TSMD-3526B	◎		◎			3.0V,2.2KΩ	-23~-29	/
10	4.00×3.00×1.00	TSMD-4030F	◎		◎			3.0V,2.2KΩ	-23~-29	/
11	4.00×3.00×1.05	TSMD-4030B	◎		◎			3.0V,2.2KΩ	-23~-29	/
12	2.92×2.00×1.25		◎		◎			3.0V,2.2KΩ	-19~-25	/

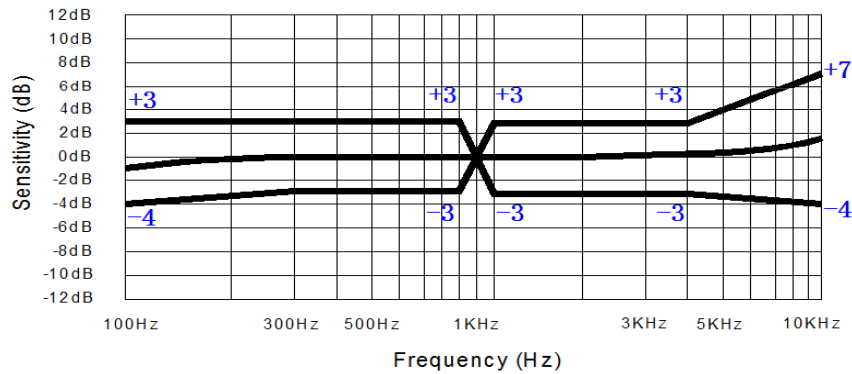


Sensitivity(1KHZ,0dB=1v/Pa)

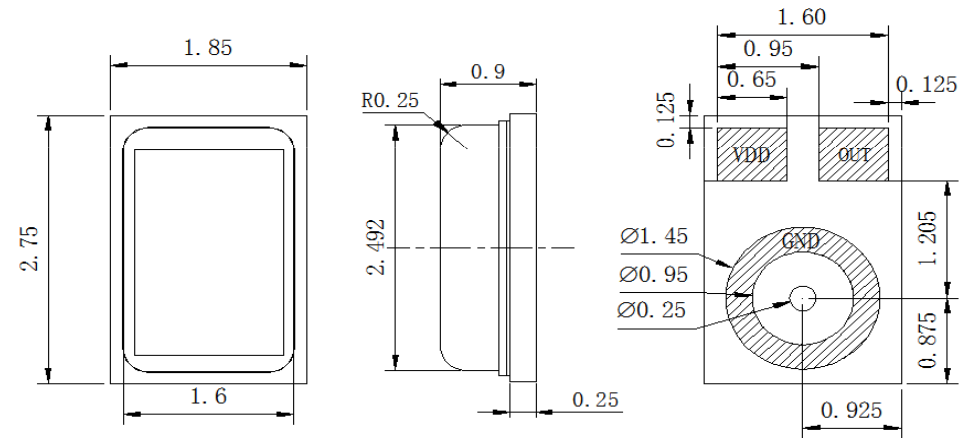
- 38±1dB
- 38±2dB
- 38±3dB

Frequency Response Curve

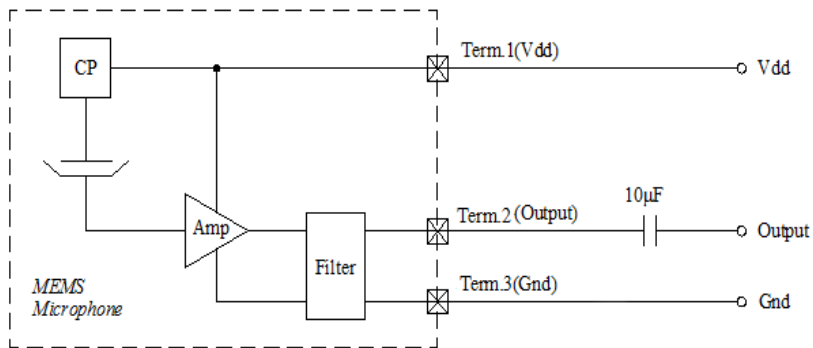
Typical Frequency Response Curve (0dB=1V/Pa)



Dimensional(mm)

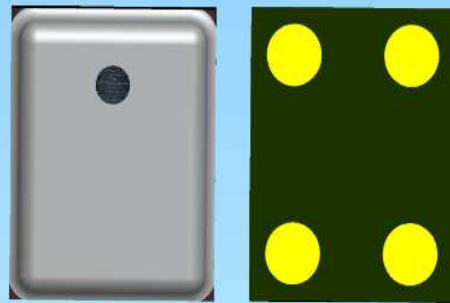


Schematic Diagram



Specifications

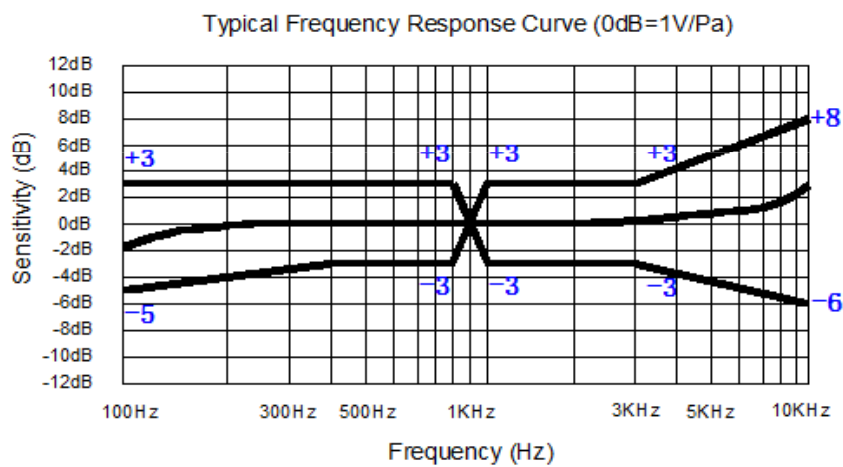
- Sensitivity: See above
- Current Consumption : 80-120uA
- Operating Voltage: 1.6V-3.6 V
- Signal to Noise Ratio: Typ 62dB
- Acoustic Overload Point : 120dB SPL
- Directivity: Omnidirectional



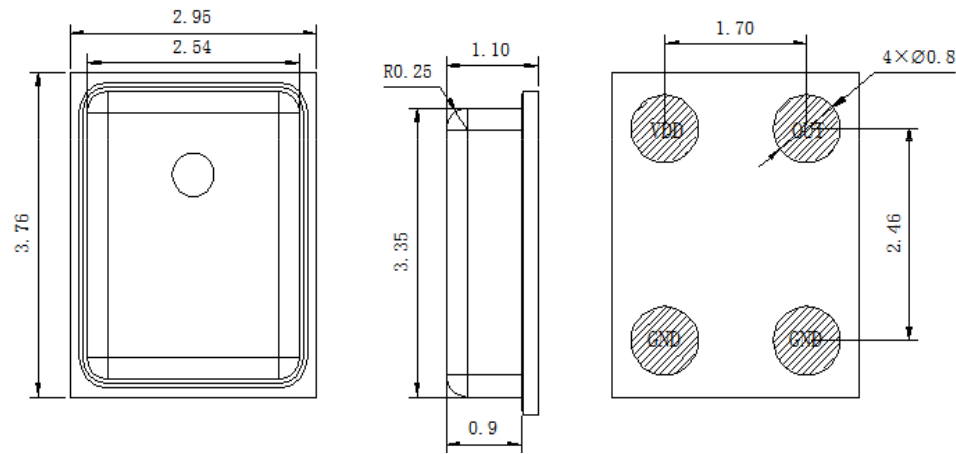
Sensitivity(1KHZ,0dB=1v/Pa)

-42±1dB
 -42±2dB
 -42±3dB

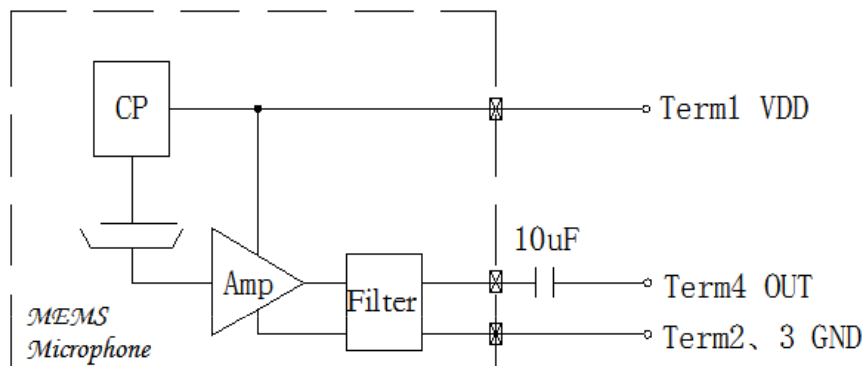
Frequency Response Curve



Dimensional(mm)



Schematic Diagram

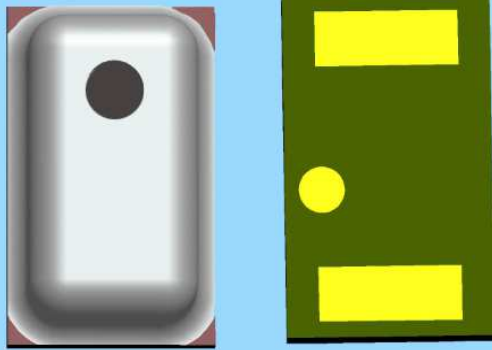


Specifications

Sensitivity: See above
 Current Consumption : 80-120uA
 Operating Voltage: 1.5V-3.6 V
 Signal to Noise Ratio: Typ 59 dB
 Acoustic Overload Point : 132dB SPL
 Directivity: Omnidirectional

TSMA-2314F

Omnidirectional analog MEMS Microphone



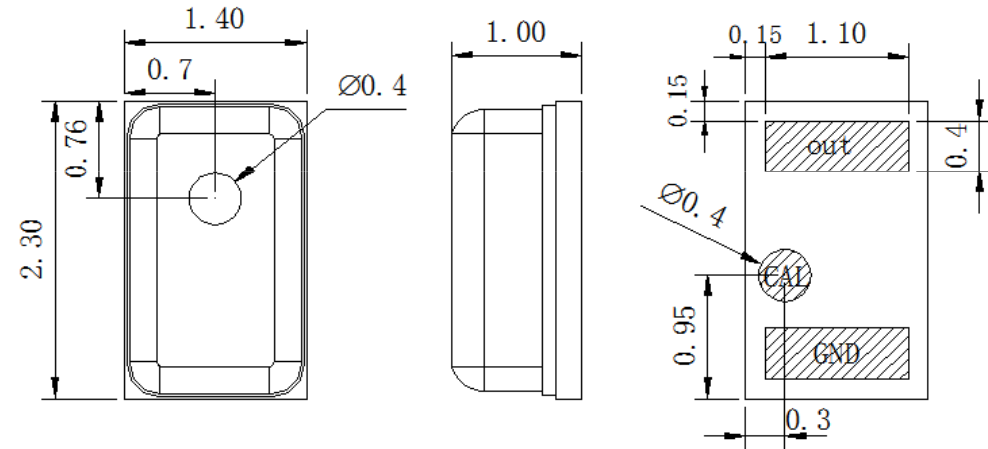
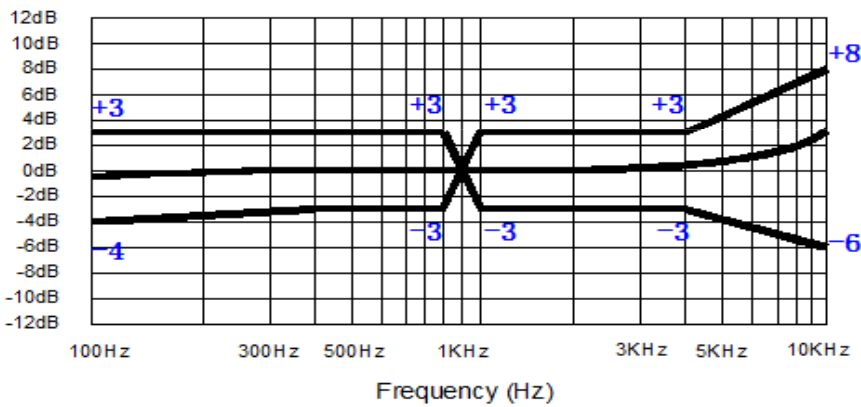
Sensitivity(1KHz,0dB=1V/Pa)

-42±3dB

Frequency Response Curve

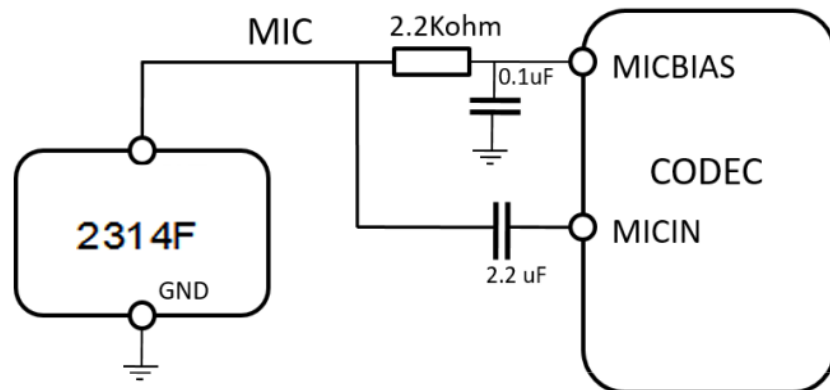
Dimension(mm)

Typical Frequency Response Curve (0dB=1V/Pa)



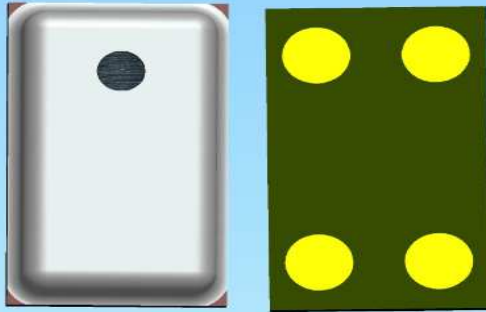
Schematic Diagram

Specifications



Connect to Audio Codec

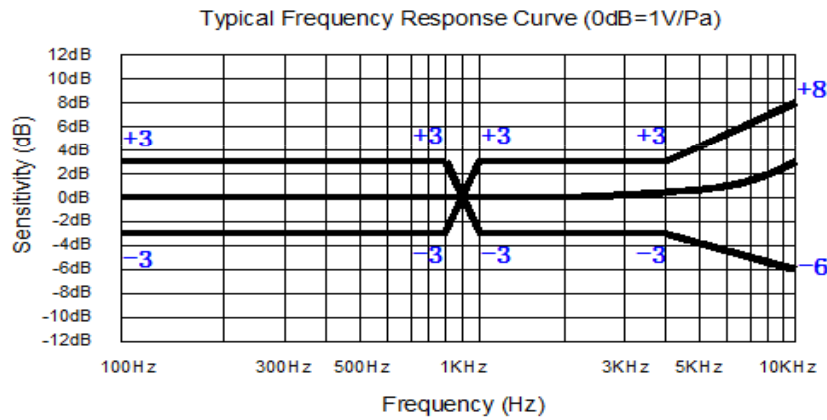
- Sensitivity: See above
- Current Consumption: 250-300uA
- Operating Voltage: 0.8V-3.6V
- Signal to Noise Ratio: Typ 56dB
- Acoustic Overload Point : 120dB SPL
- Directivity: Omnidirectional



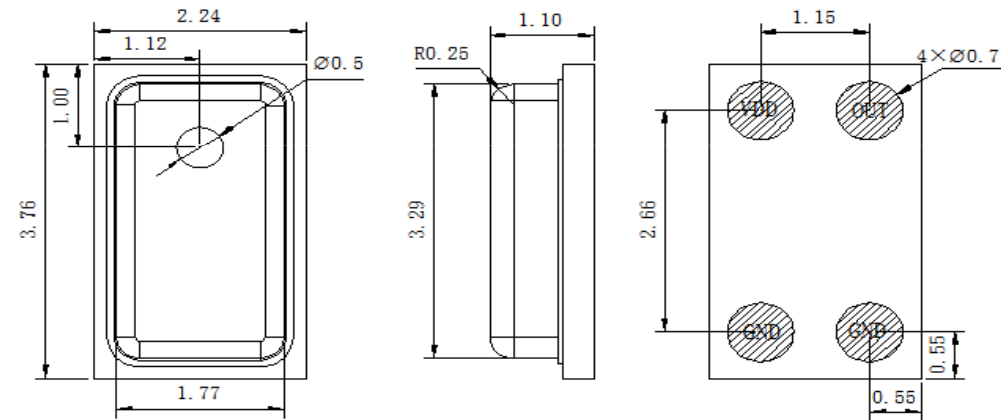
Sensitivity(1KHz,0dB=1V/Pa)

- 42±1dB
- 42±2dB
- 42±3dB

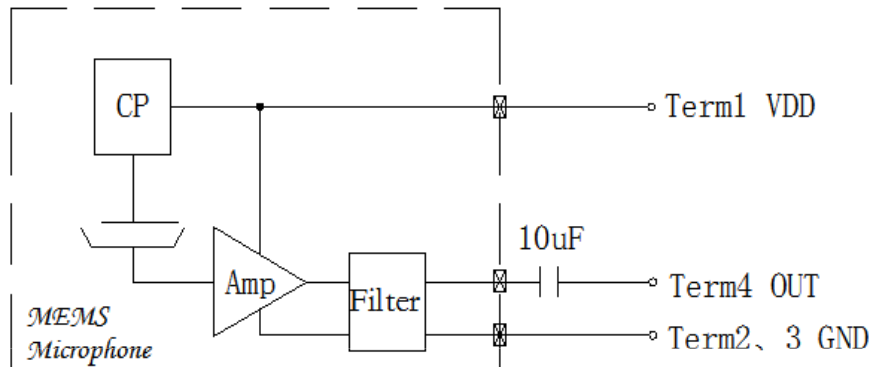
Frequency Response Curve



Dimension(mm)

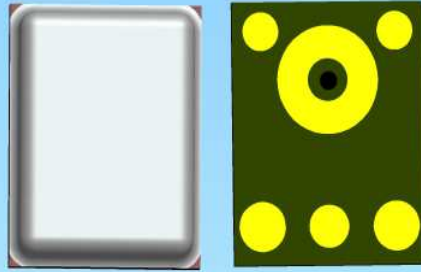


Schematic Diagram



Specifications

- Sensitivity: See above
- Current Consumption : 80-120uA
- Operating Voltage: 1.6V-3.6 V
- Signal to Noise Ratio: Typ 59dB
- Acoustic Overload Point : 120dB SPL
- Directivity: Omnidirectional



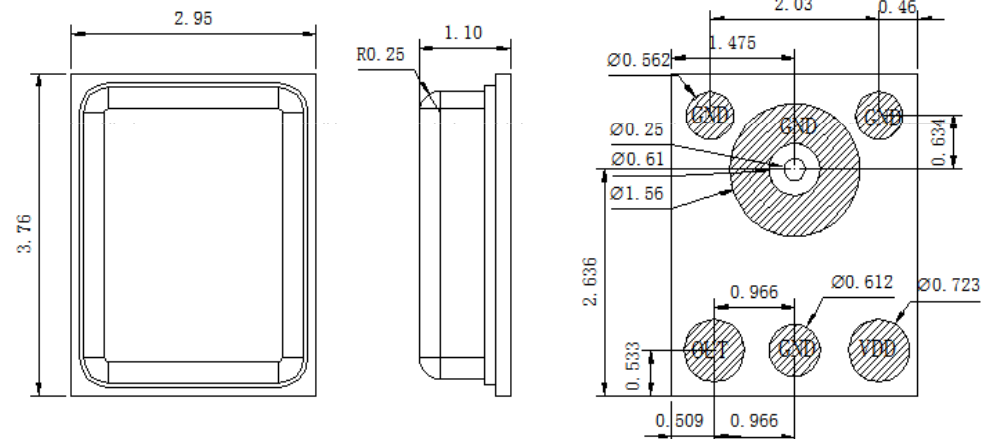
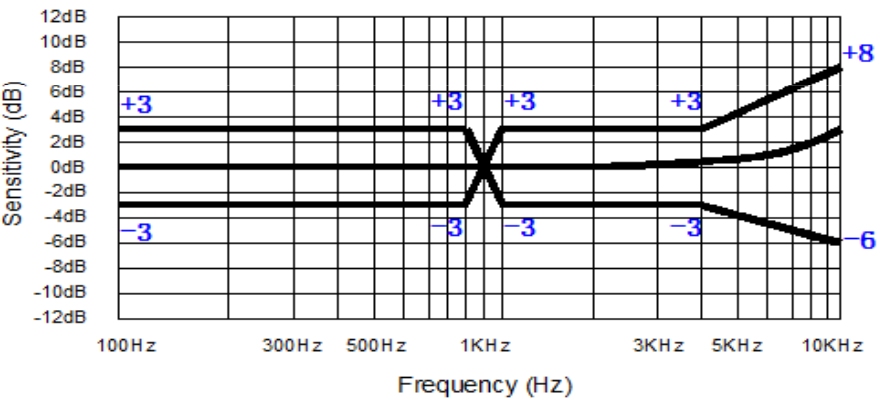
Sensitivity(1KHz,0dB=1V/Pa)

- 38±1dB
- 38±2dB
- 38±3dB

Frequency Response Curve

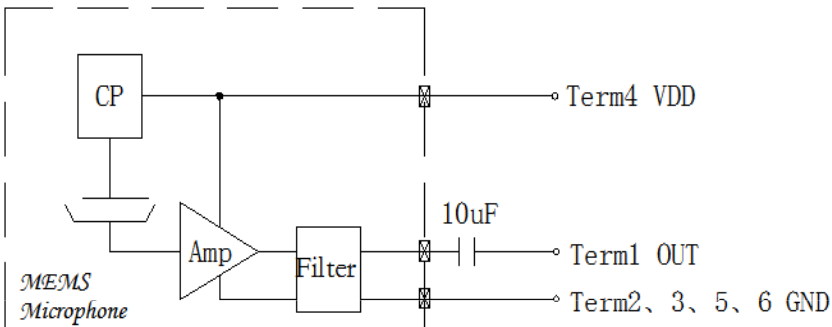
Dimension(mm)

Typical Frequency Response Curve (0dB=1V/Pa)



Schematic Diagram

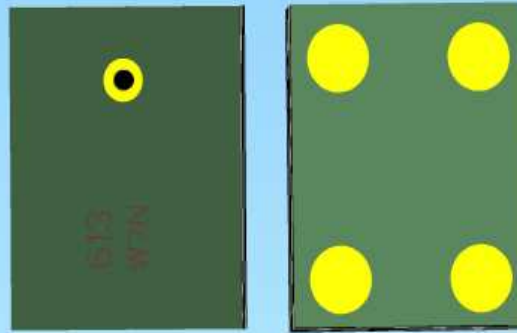
Specifications



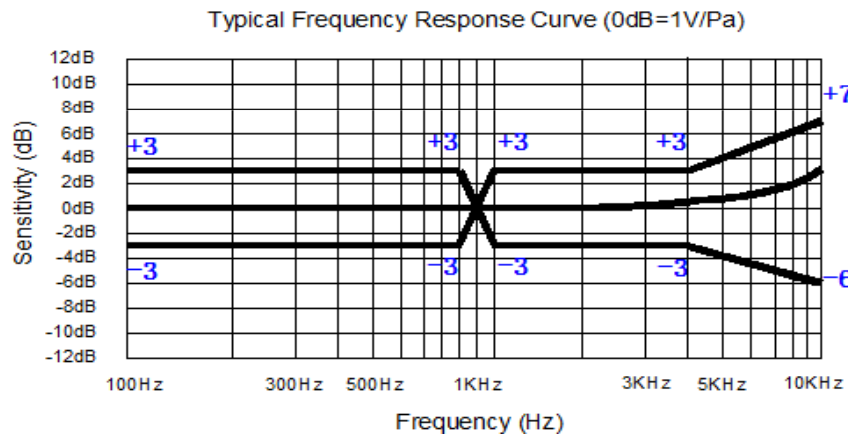
- Sensitivity: See above
- Current consumption : Typ 80uA
- Operating Voltage: 1.6V-3.6 V
- Signal to Noise Ratio: Typ 65dB
- Acoustic Overload Point : 120dB SPL
- Directivity: Omnidirectional

Sensitivity(1KHz,0dB=1V/Pa)

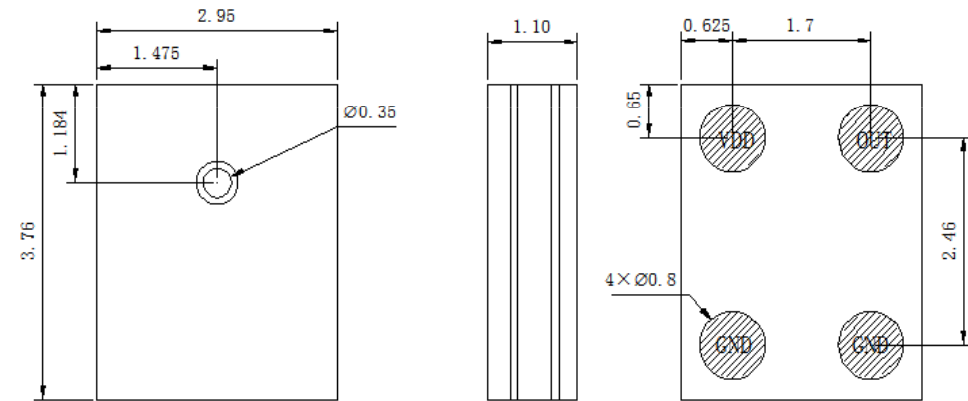
-38±1dB
 -38±2dB
 -38±3dB



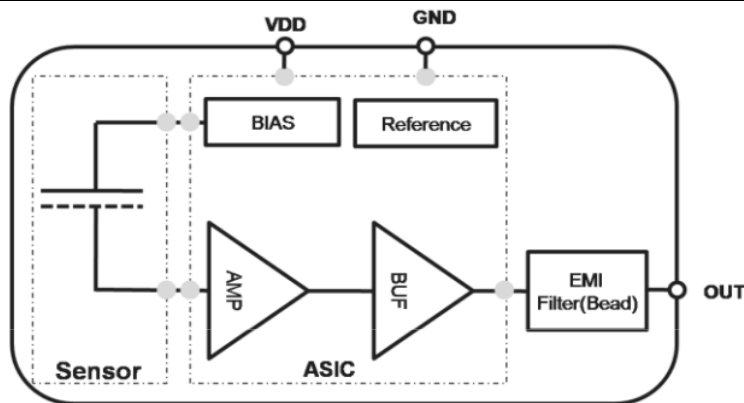
Frequency Response Curve



Dimension(mm)

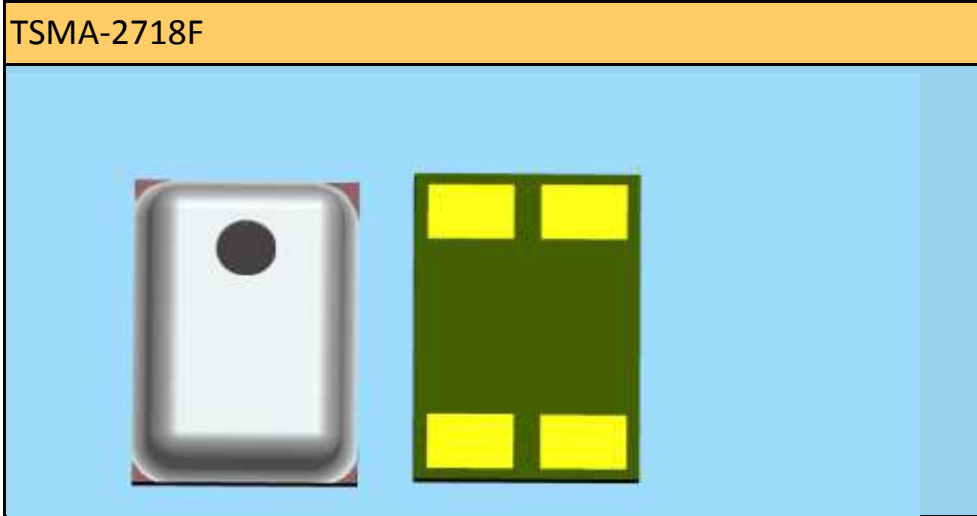


Schematic Diagram



Specifications

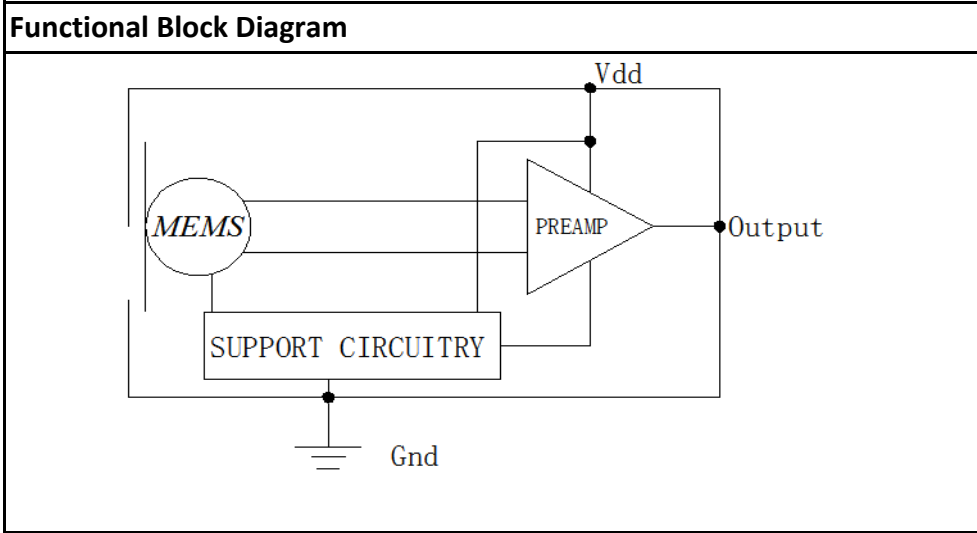
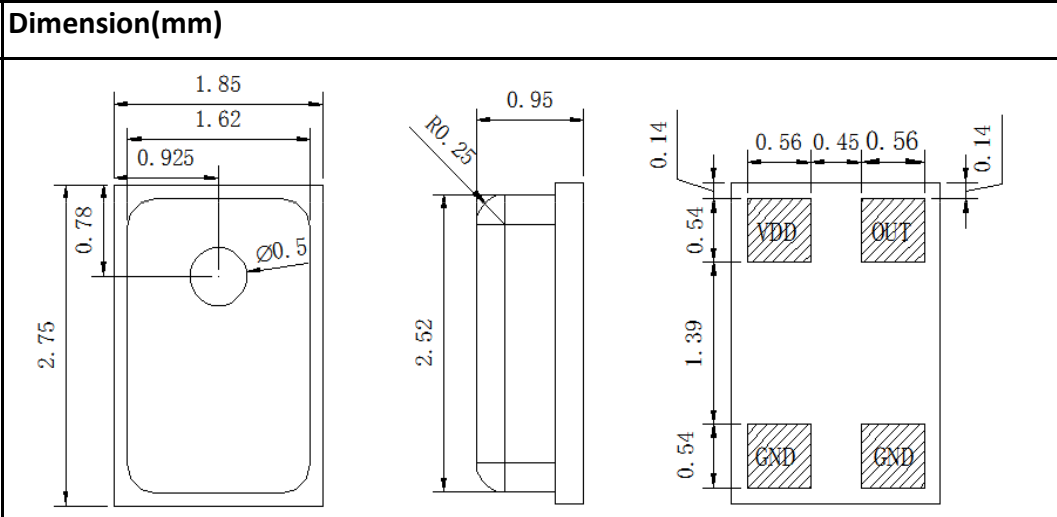
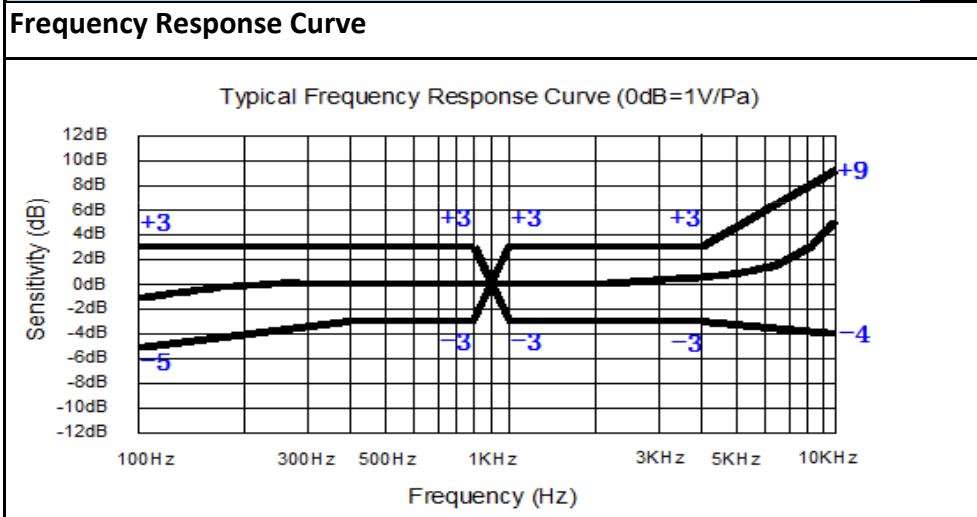
Sensitivity: See above
 Current consumption : 80-130uA
 Operating Voltage: 1.5V-3.6 V
 Signal to Noise Ratio: Typ 65dB
 Acoustic Overload Point : Typ 125dBSPL
 Directivity: Omnidirectional



Omnidirectional analog MEMS Microphone

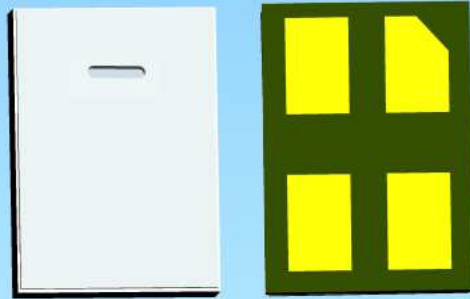
Sensitivity(1KHz,0dB=1V/Pa)

-42±1dB
-42±2dB
-42±3dB



Specifications

Sensitivity: See above
 Current consumption :TYP 95uA
 Operating Voltage: 1.5V-3.6 V
 Signal to Noise Ratio : Typ 59dB
 Acoustic Overload Point: Typ 126dB SPL
 Directivity: Omnidirectional

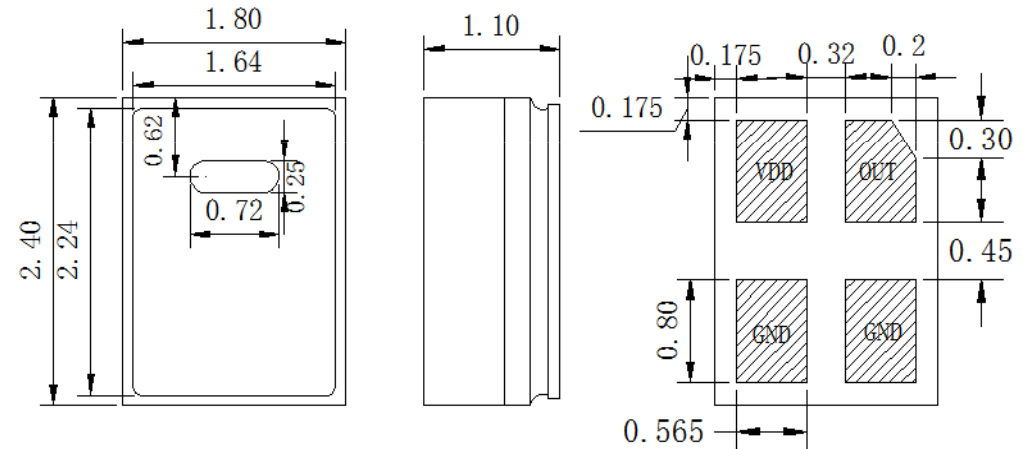
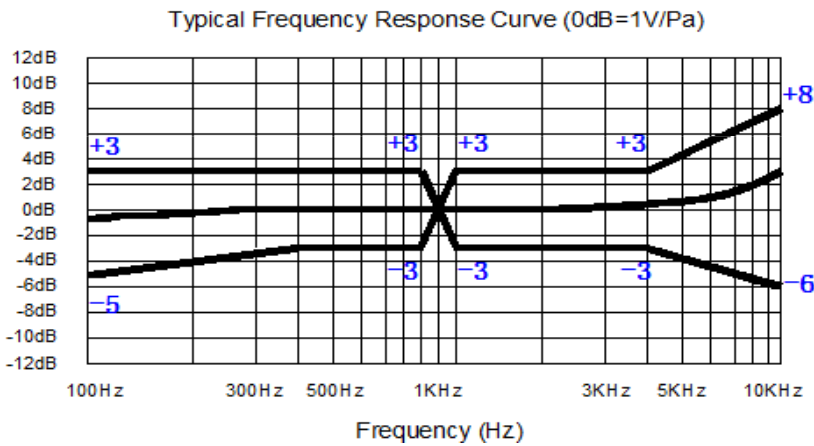


Sensitivity(1KHz,0dB=1V/Pa)

- 38±1dB
- 38±2dB
- 38±3dB

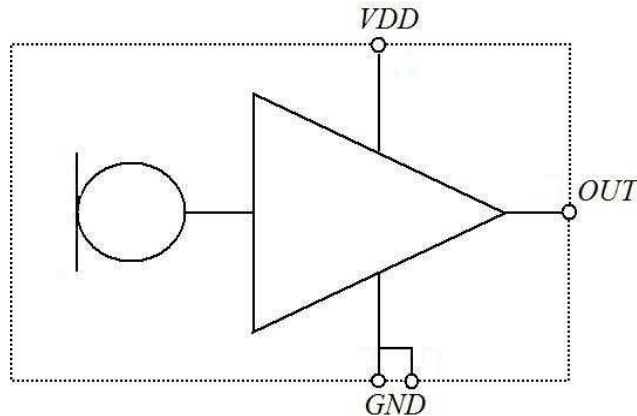
Frequency Response Curve

Dimension(mm)

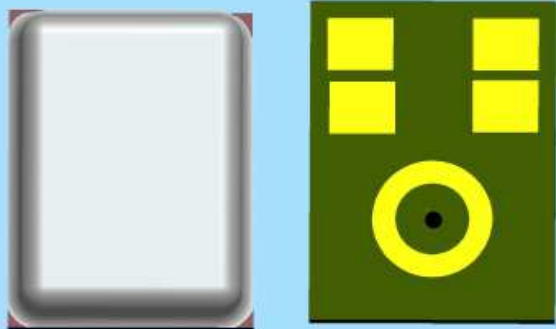


Functional Block Diagram

Specifications



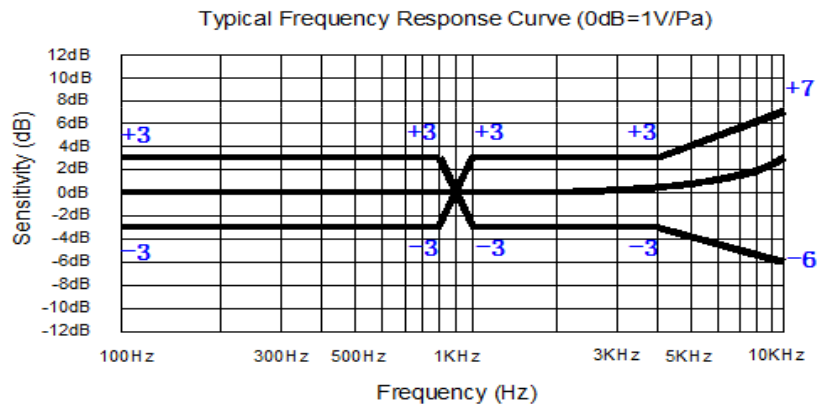
- Sensitivity: See above
- Current consumption : TYP 160uA
- Operating Voltage: 1.2V-3.6 V
- Signal to Noise Ratio : TYP 59dB
- Acoustic Overload Point : Typ 120dBSPL
- Directivity: Omnidirectional



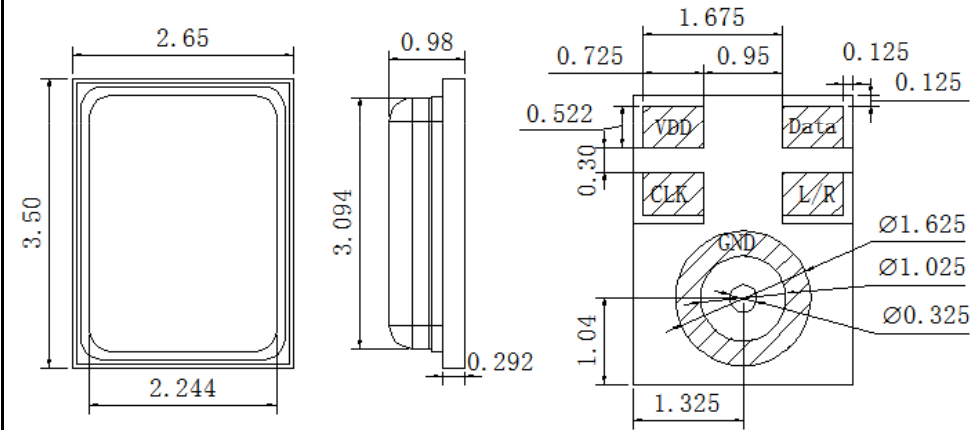
Sensitivity(1KHz,0dB=1V/Pa)

- 26±1dB
- 26±2dB
- 26±3dB

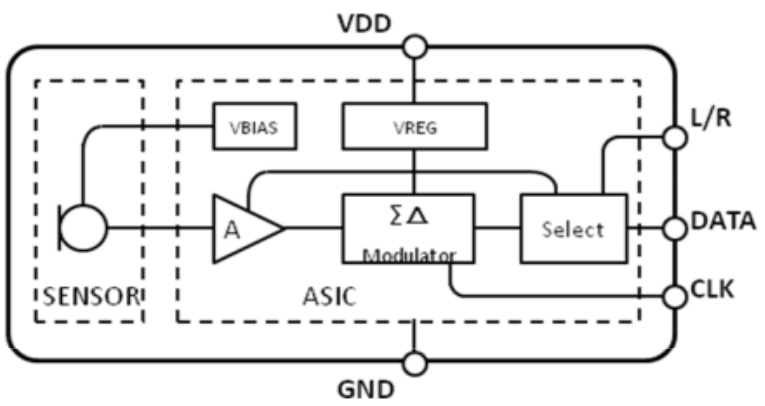
Frequency Response Curve



Dimension(mm)

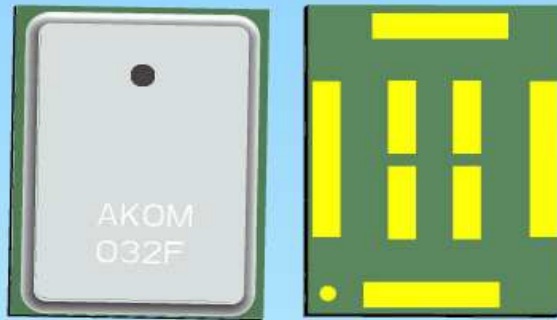


Microphone Block Diagram



Specifications

- Sensitivity: See above
- Current consumption : 600-700uA
- Operating Voltage: 1.2V-3.6 V
- Signal to Noise Ratio : TYP 65dB
- Acoustic Overload Point : Typ 120dB SPL
- Directivity: Omnidirectional

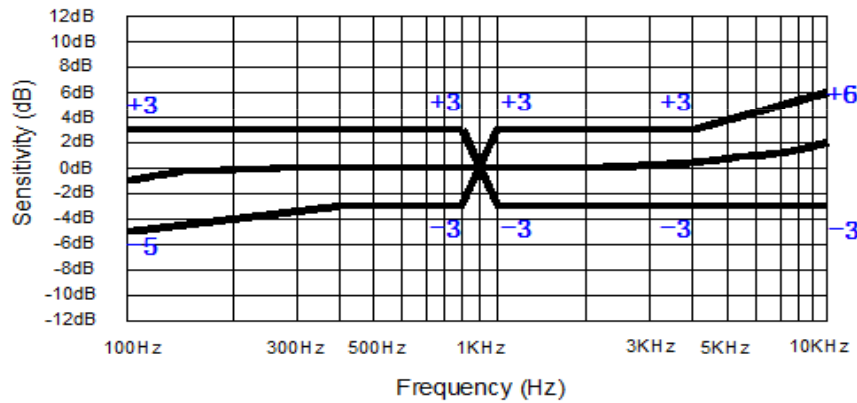


Sensitivity(1KHz,0dB=1V/Pa)

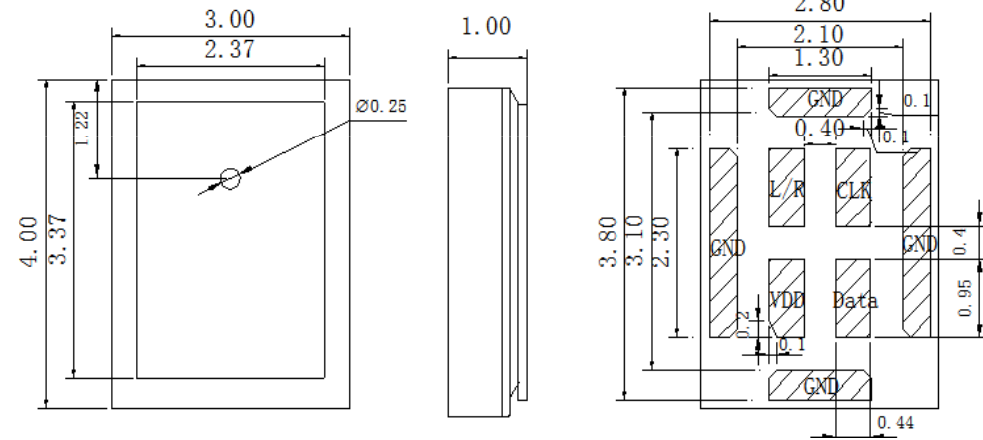
-26±1dB
 -26±2dB
 -26±3dB

Frequency Response Curve

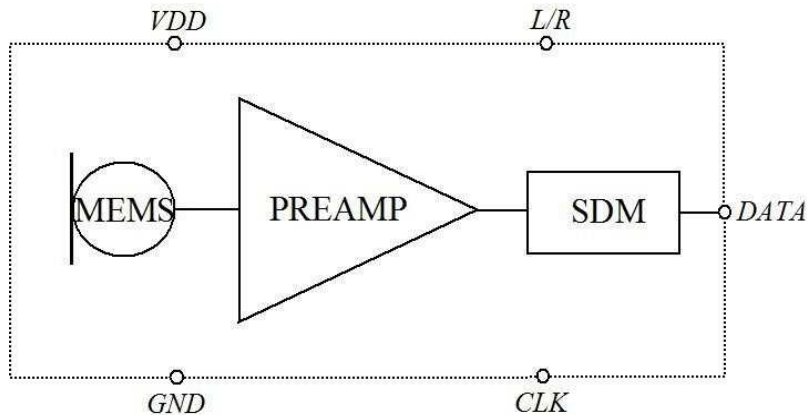
Typical Frequency Response Curve (0dB=1V/Pa)



Dimension(mm)



Schematic Diagram



Specifications

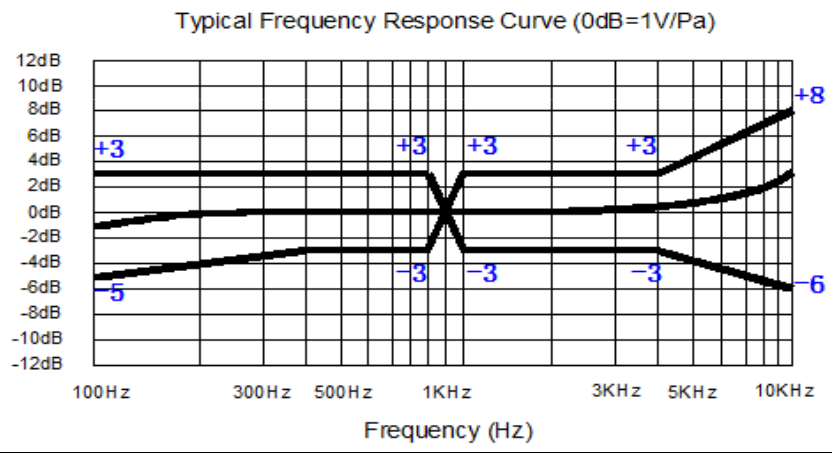
Sensitivity: See above
 Current consumption :Typ 650uA
 Operating Voltage: 1.6V-3.6 V
 Signal to Noise Ratio: Typ 56dB
 Acoustic Overload Point : Typ 115dB SPL
 Directivity: Omnidirectional



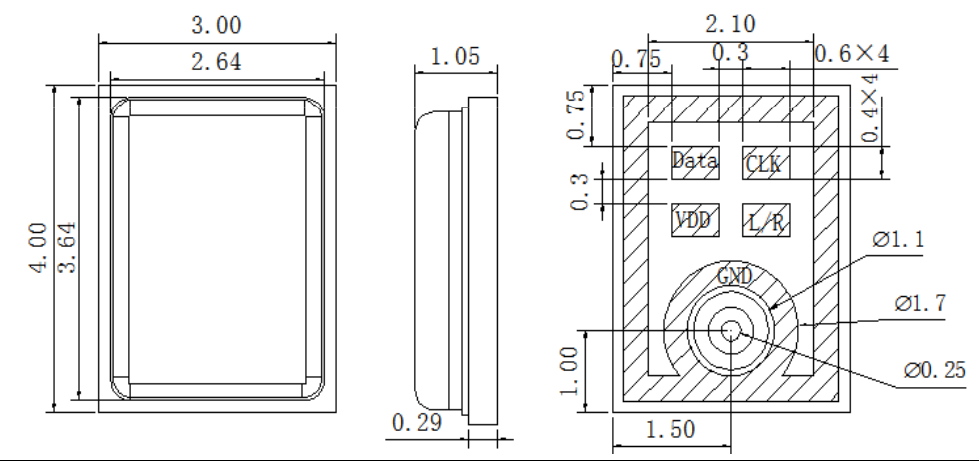
Sensitivity(1KHz,0dB=1V/Pa)

-26±3dB

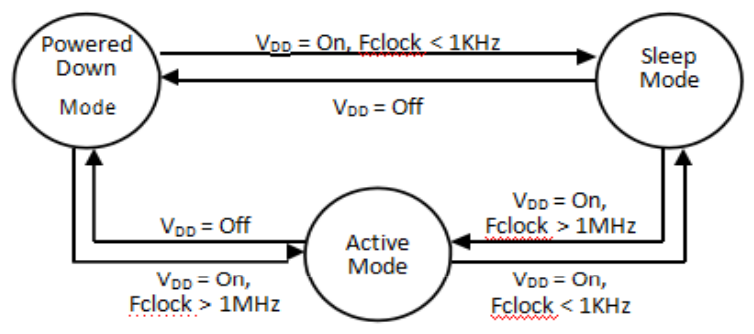
Frequency Response Curve



Dimension(mm)

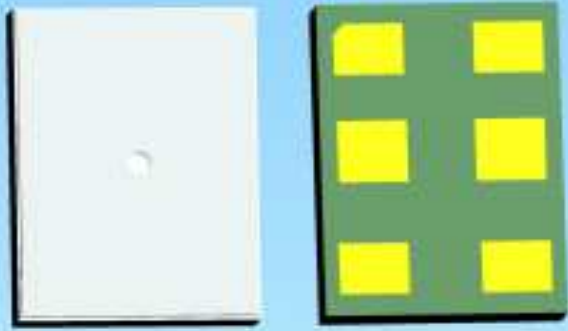


Schematic Diagram



Specifications

- Sensitivity: See above
- Current consumption : 0.8-1.5mA
- Operating Voltage: 1.6V-3.6 V
- Signal to Noise Ratio: Typ 65dB
- Acoustic Overload Point : 120dB SPL
- Directivity: Omnidirectional

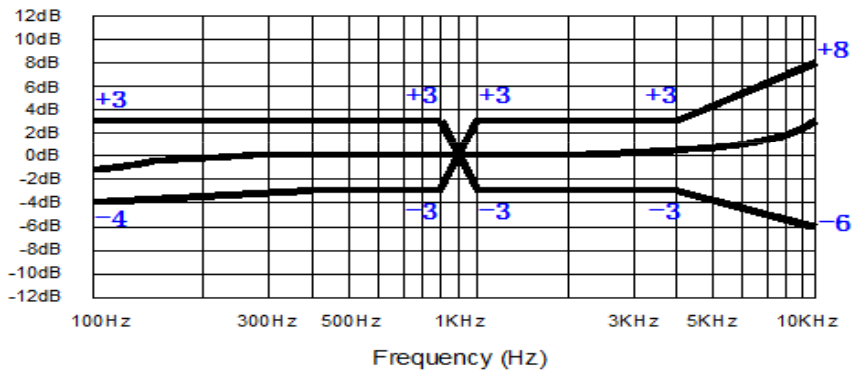


Sensitivity(1KHz,0dB=1V/Pa)

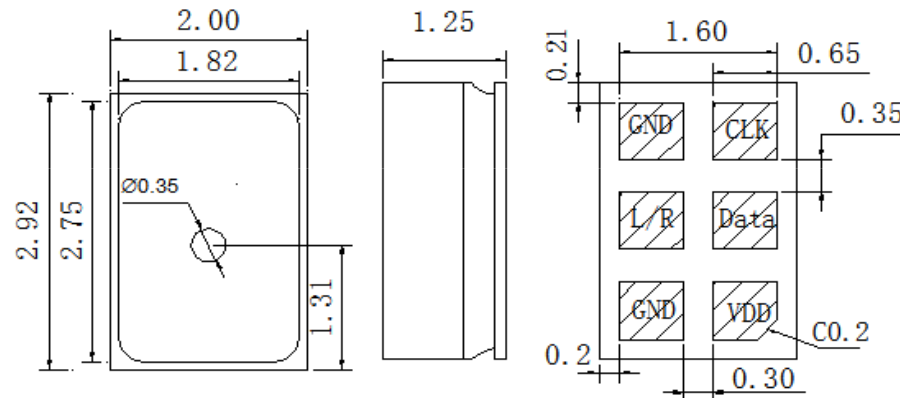
-22±3dB

Frequency Response Curve

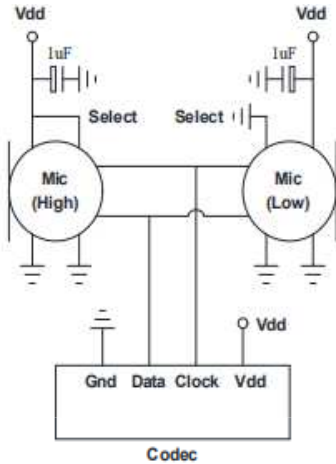
Typical Frequency Response Curve (0dB=1V/Pa)



Dimensional(mm)



Typical Application Schematic



Specifications

- Sensitivity: See above
- Current consumption : Typ 1.2mA
- Operating Voltage: 1.64V-3.6 V
- Signal to Noise Ratio : Typ 62dB
- Acoustic Overload Point: 120dB SPL
- Directivity: Omnidirectional