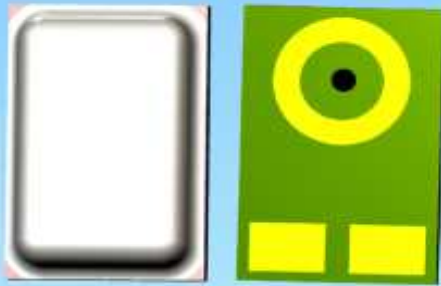


页码	尺寸规格	基本型号	指向性		连接方式			标准测试条件	灵敏度	内置电容
	(mm)		全方向	单方向	SMD	Soldering Type	Pin Type		(dB)	
1	2.75×1.85×0.90	TSMA-2718B	◎		◎			2.0V,2.2KΩ	-35~-41	/
2	3.76×2.95×1.10	TSMA-3729F	◎		◎			2.0V,2.2KΩ	-39~-45	/
3	2.30×1.40×1.00	TSMA-2314F	◎		◎			2.0V,2.2KΩ	-39~-45	/
4	3.76×2.24×1.10	TSMA-3722F	◎		◎			2.0V,2.2KΩ	-39~-45	/
5	3.76×2.95×1.10	TSMA-3729B	◎		◎			2.0V,2.2KΩ	-35~-41	/
6	3.76×2.95×1.10	TSMA-3729F	◎		◎			2.0V,2.2KΩ	-35~-41	/
7	2.75×1.85×0.95	TSMA-2718F	◎		◎			2.0V,2.2KΩ	-39~-45	/
8	2.40×1.80×1.10	TSMA-2418F	◎		◎			2.0V,2.2KΩ	-35~-41	/
9	3.50×2.65×0.98	TSMD-3526B	◎		◎			3.0V,2.2KΩ	-23~-29	/
10	4.00×3.00×1.00	TSMD-4030F	◎		◎			3.0V,2.2KΩ	-23~-29	/
11	4.00×3.00×1.05	TSMD-4030B	◎		◎			3.0V,2.2KΩ	-23~-29	/
12	2.92×2.00×1.25		◎		◎			3.0V,2.2KΩ	-19~-25	/

T SMA-2718B

Omnidirectional analog MEMS Microphone

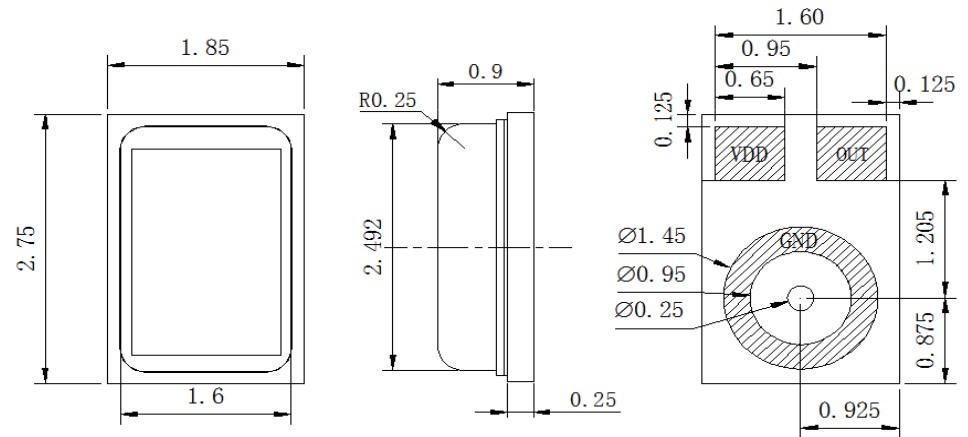
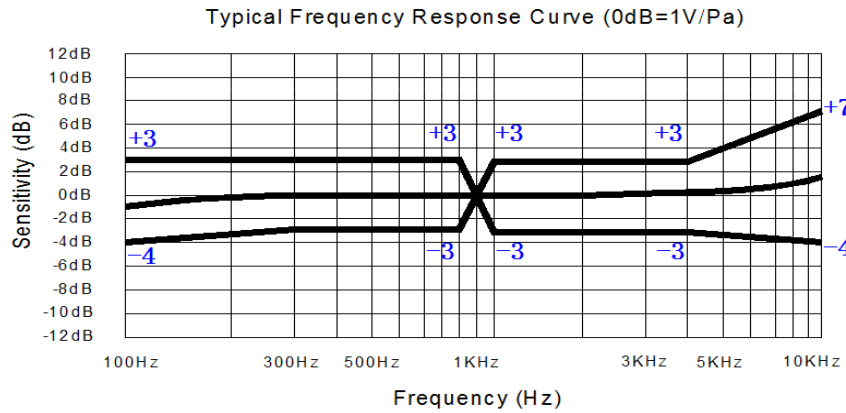


Sensitivity(1KHZ,0dB=1v/Pa)

- 38±1dB
- 38±2dB
- 38±3dB

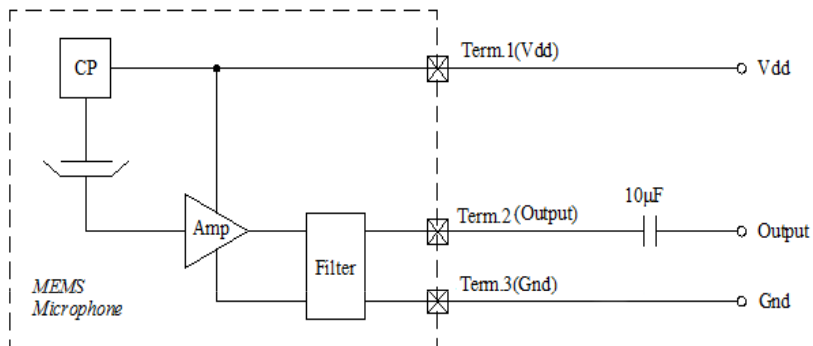
Frequency Response Curve

Dimensional(mm)



Schematic Diagram

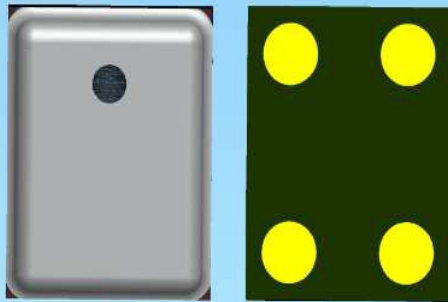
Specifications



- Sensitivity: See above
- Current Consumption : 80-120uA
- Operating Voltage: 1.6V-3.6 V
- Signal to Noise Ratio: Typ 62dB
- Acoustic Overload Point : 120dB SPL
- Directivity: Omnidirectional

T SMA-3729F

Omnidirectional analog MEMS Microphone

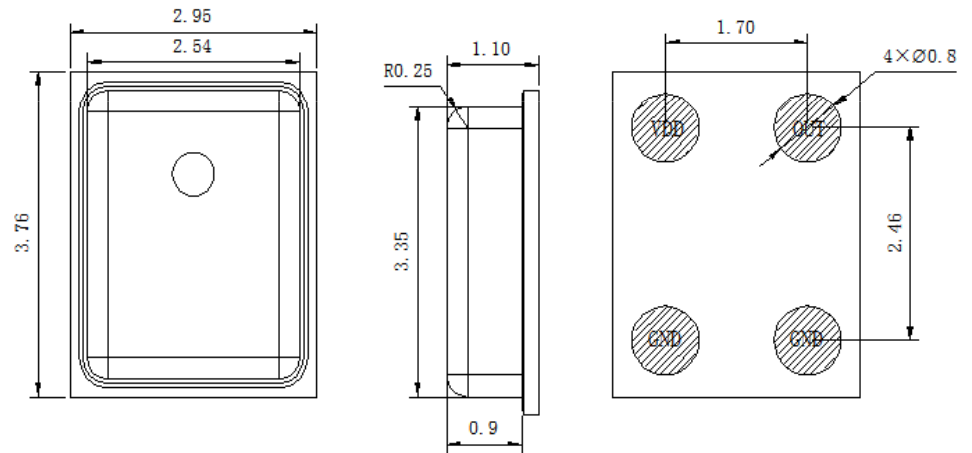
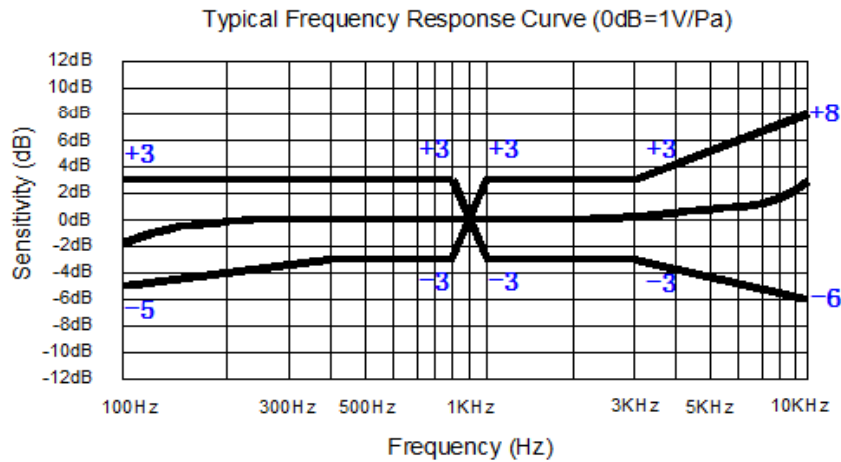


Sensitivity(1KHZ,0dB=1v/Pa)

- 42±1dB
- 42±2dB
- 42±3dB

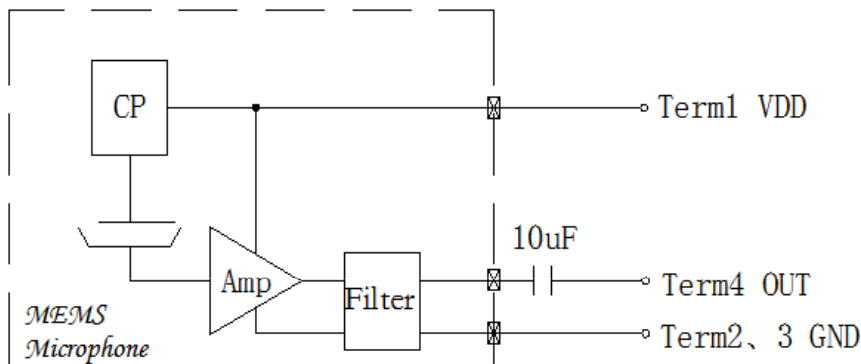
Frequency Response Curve

Dimensional(mm)



Schematic Diagram

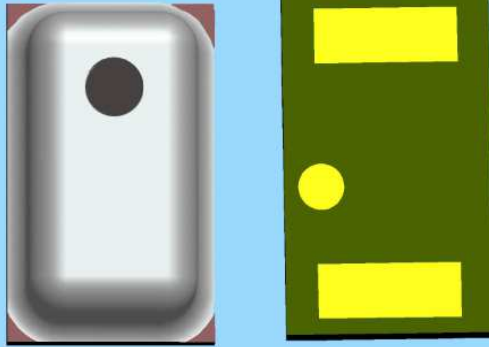
Specifications



- Sensitivity: See above
- Current Consumption : 80-120uA
- Operating Voltage: 1.5V-3.6 V
- Signal to Noise Ratio: Typ 59 dB
- Acoustic Overload Point : 132dB SPL
- Directivity: Omnidirectional

TSMA-2314F

Omnidirectional analog MEMS Microphone

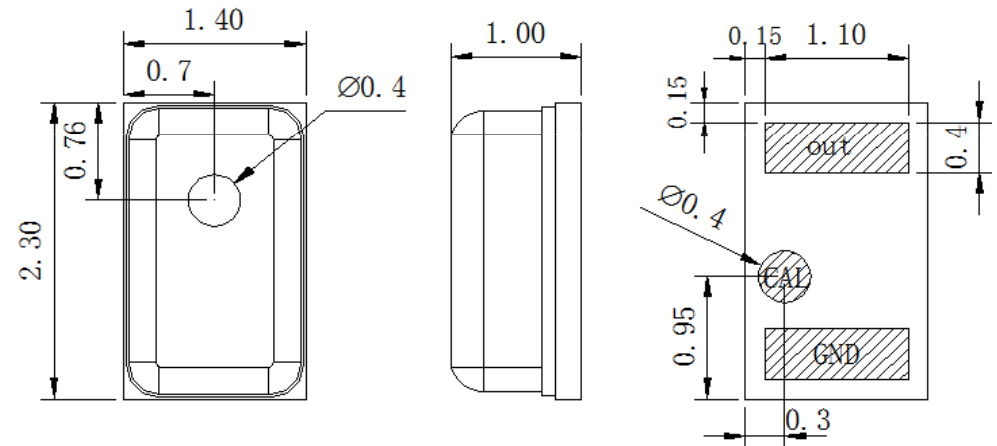
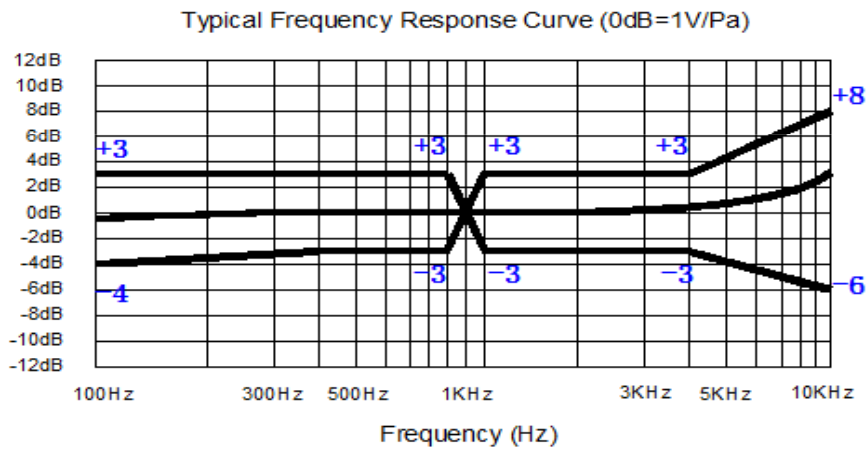


Sensitivity(1KHz,0dB=1V/Pa)

-42±3dB

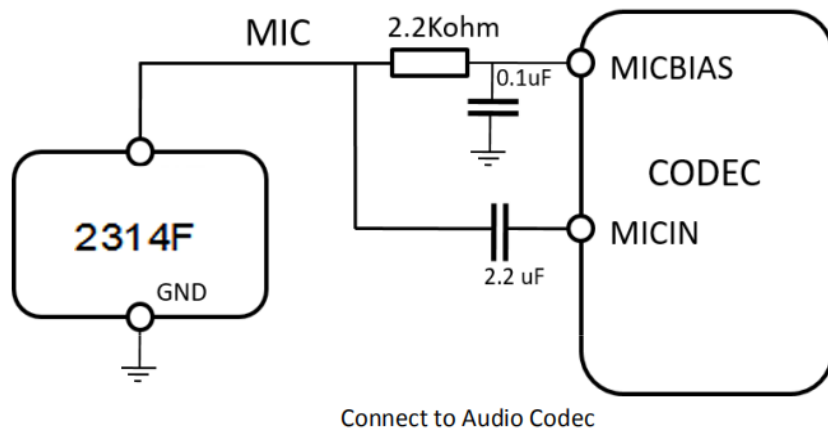
Frequency Response Curve

Dimension(mm)



Schematic Diagram

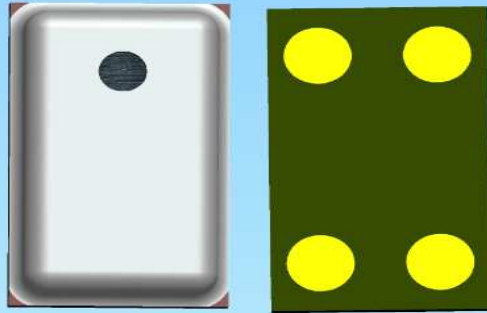
Specifications



Sensitivity: See above  
Current Consumption: 250-300uA  
Operating Voltage: 0.8V-3.6V  
Signal to Noise Ratio: Typ 56dB  
Acoustic Overload Point : 120dB SPL  
Directivity: Omnidirectional

T SMA-3722F

Omnidirectional analog MEMS Microphone

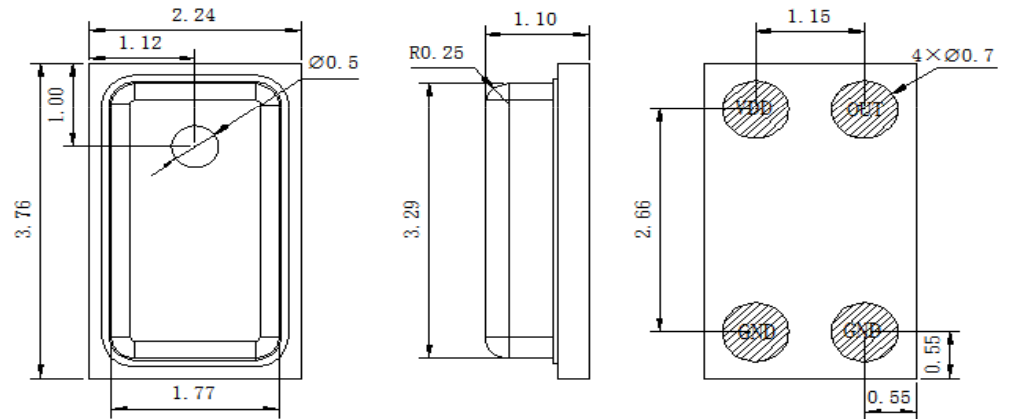
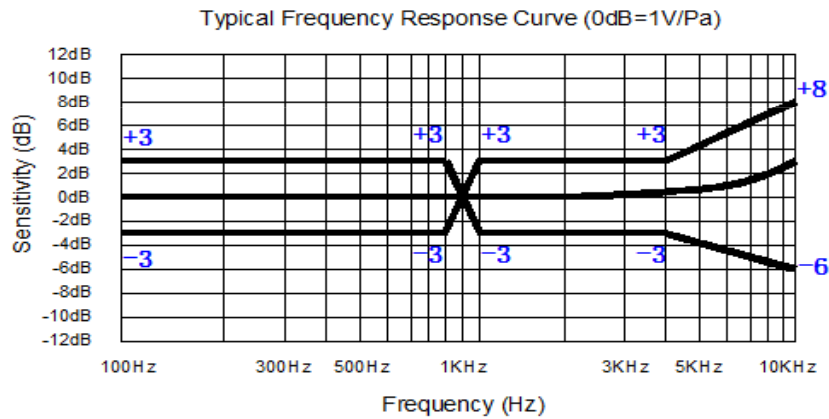


Sensitivity(1KHz,0dB=1V/Pa)

-42±1dB  
-42±2dB  
-42±3dB

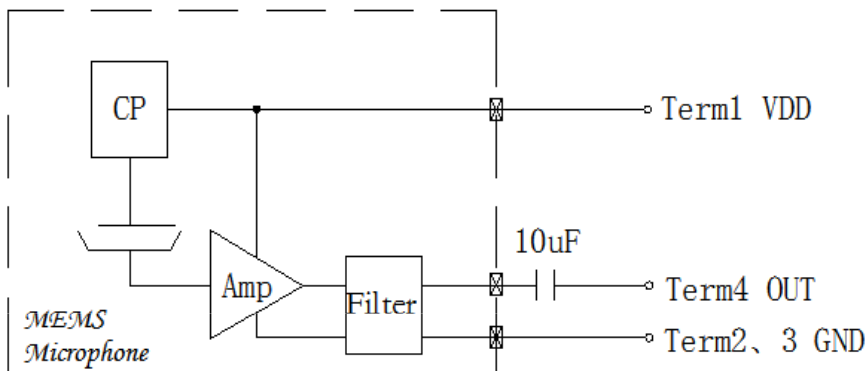
Frequency Response Curve

Dimension(mm)



Schematic Diagram

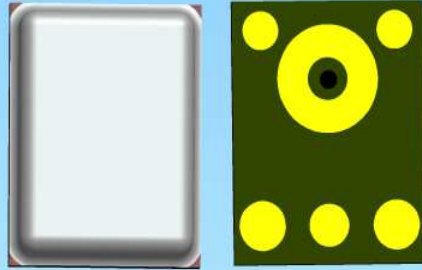
Specifications



Sensitivity: See above  
Current Consumption : 80-120uA  
Operating Voltage: 1.6V-3.6 V  
Signal to Noise Ratio: Typ 59dB  
Acoustic Overload Point : 120dB SPL  
Directivity: Omnidirectional

T SMA-3729B

Omnidirectional analog MEMS Microphone

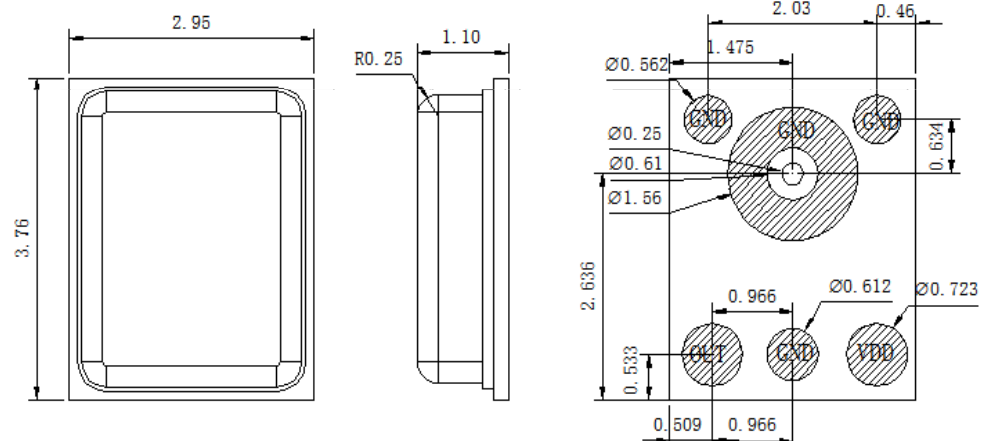
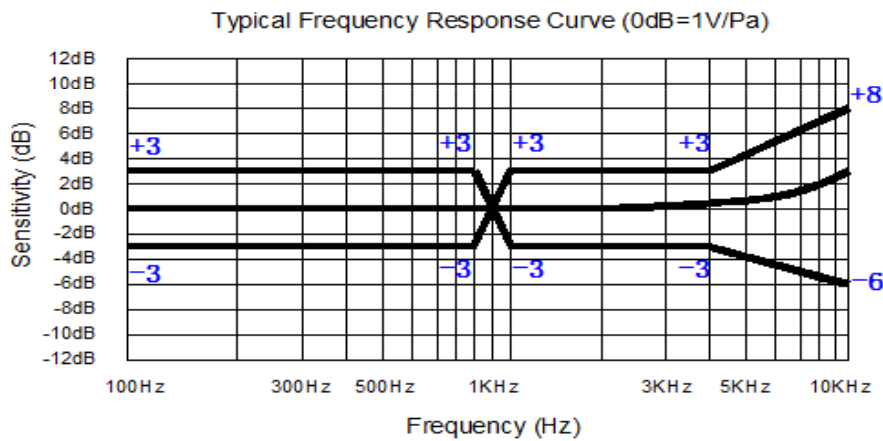


Sensitivity(1KHz,0dB=1V/Pa)

- 38±1dB
- 38±2dB
- 38±3dB

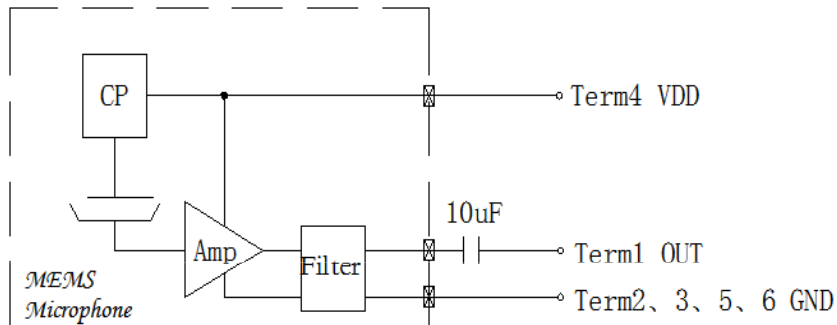
Frequency Response Curve

Dimension(mm)



Schematic Diagram

Specifications



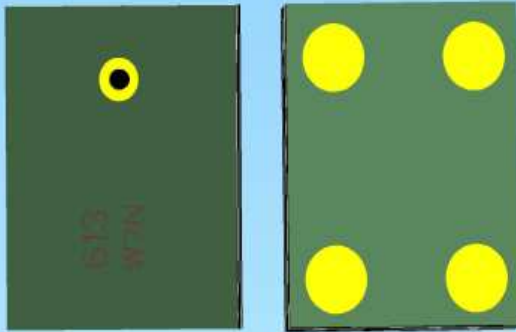
- Sensitivity: See above
- Current consumption : Typ 80uA
- Operating Voltage: 1.6V-3.6 V
- Signal to Noise Ratio: Typ 65dB
- Acoustic Overload Point : 120dB SPL
- Directivity: Omnidirectional

TSMA-3729F

Omnidirectional analog MEMS Microphone

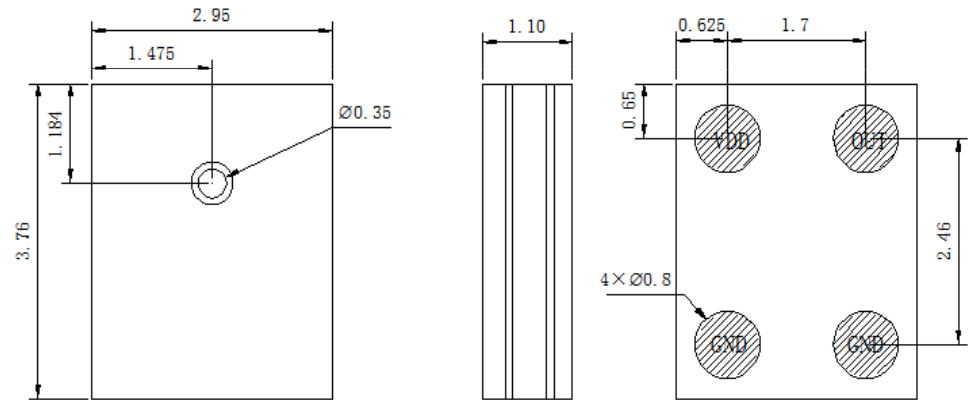
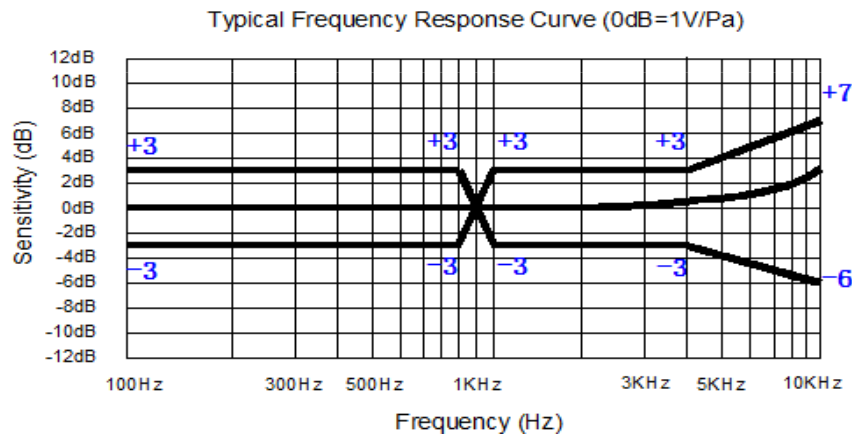
Sensitivity(1KHz,0dB=1V/Pa)

-38±1dB  
-38±2dB  
-38±3dB



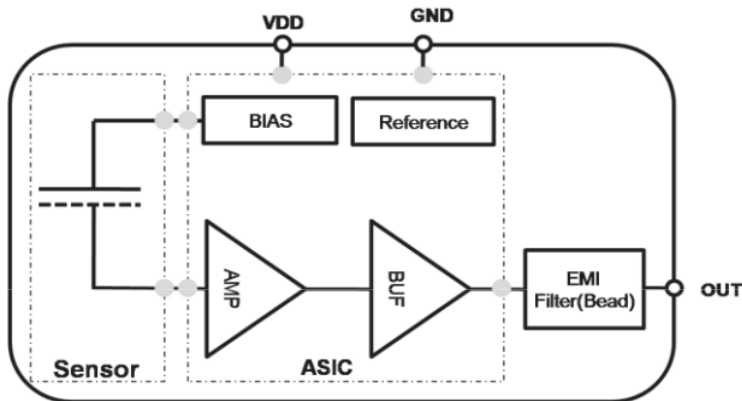
Frequency Response Curve

Dimension(mm)



Schematic Diagram

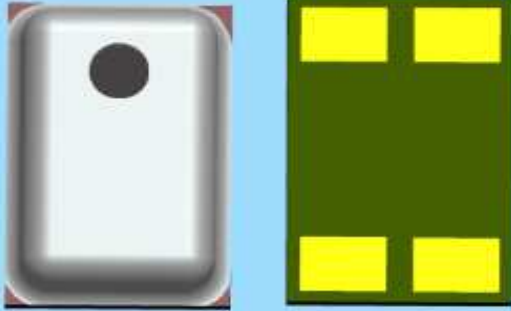
Specifications



Sensitivity: See above  
 Current consumption : 80-130uA  
 Operating Voltage: 1.5V-3.6 V  
 Signal to Noise Ratio: Typ 65dB  
 Acoustic Overload Point : Typ 125dB SPL  
 Directivity: Omnidirectional

TSMA-2718F

Omnidirectional analog MEMS Microphone

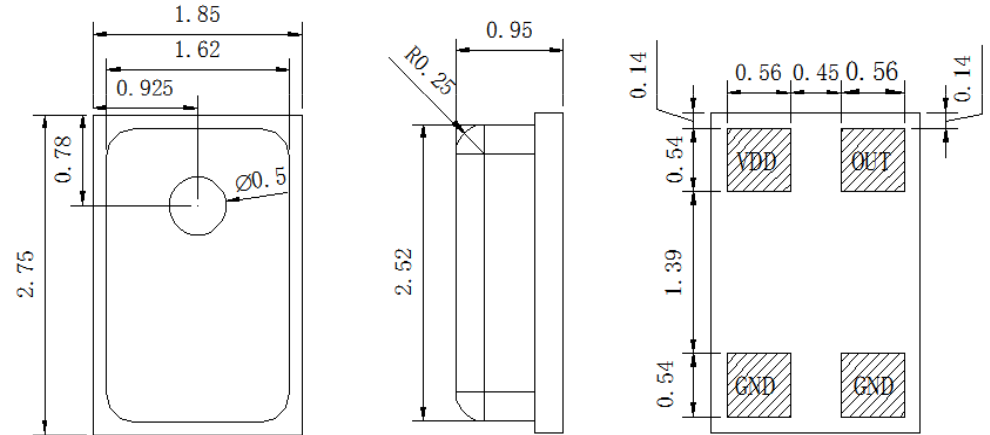
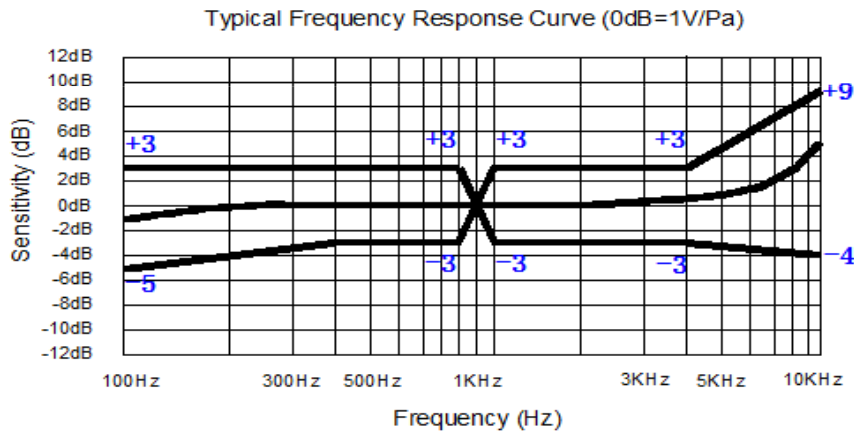


Sensitivity(1KHz,0dB=1V/Pa)

-42±1dB  
-42±2dB  
-42±3dB

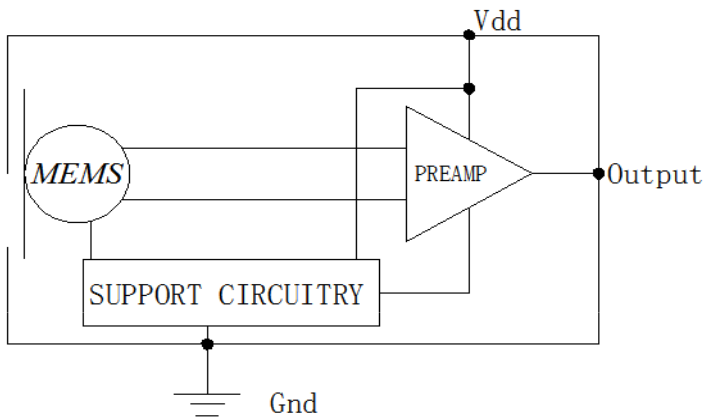
Frequency Response Curve

Dimension(mm)



Functional Block Diagram

Specifications

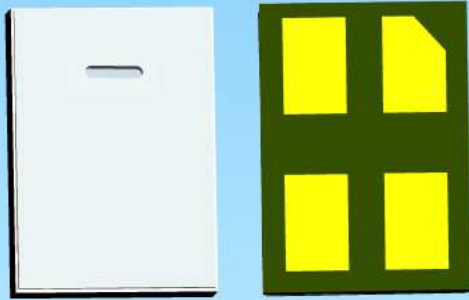


Sensitivity: See above  
 Current consumption :TYP 95uA  
 Operating Voltage: 1.5V-3.6 V  
 Signal to Noise Ratio : Typ 59dB  
 Acoustic Overload Point: Typ 126dBSPL  
 Directivity: Omnidirectional



T SMA-2418F

Omnidirectional analog MEMS Microphone

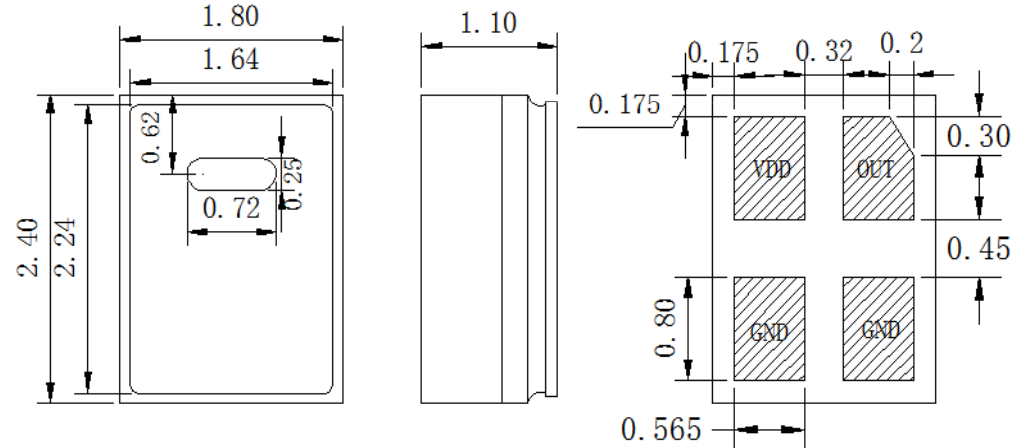
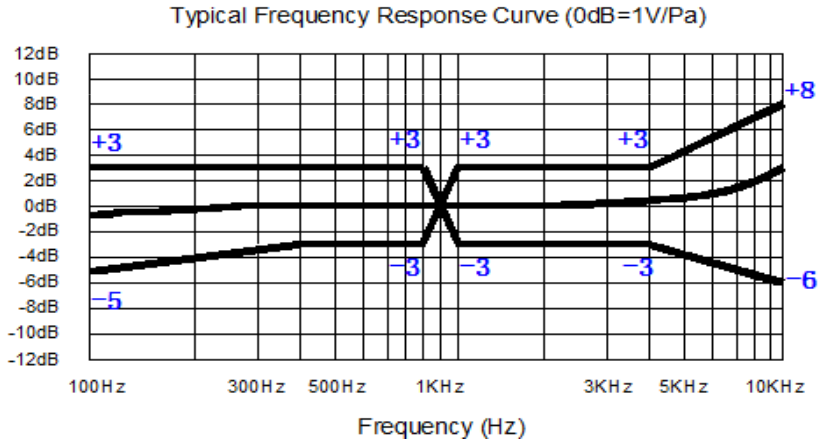


Sensitivity(1KHz,0dB=1V/Pa)

- 38±1dB
- 38±2dB
- 38±3dB

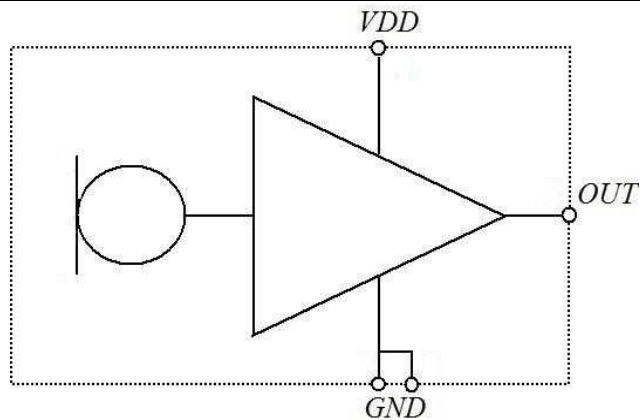
Frequency Response Curve

Dimension(mm)



Functional Block Diagram

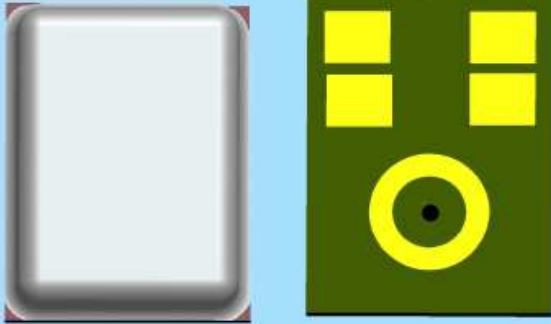
Specifications



- Sensitivity: See above
- Current consumption : TYP 160uA
- Operating Voltage: 1.2V-3.6 V
- Signal to Noise Ratio : TYP 59dB
- Acoustic Overload Point : Typ 120dB SPL
- Directivity: Omnidirectional

TSMD-3526B

Omnidirectional analog MEMS Microphone

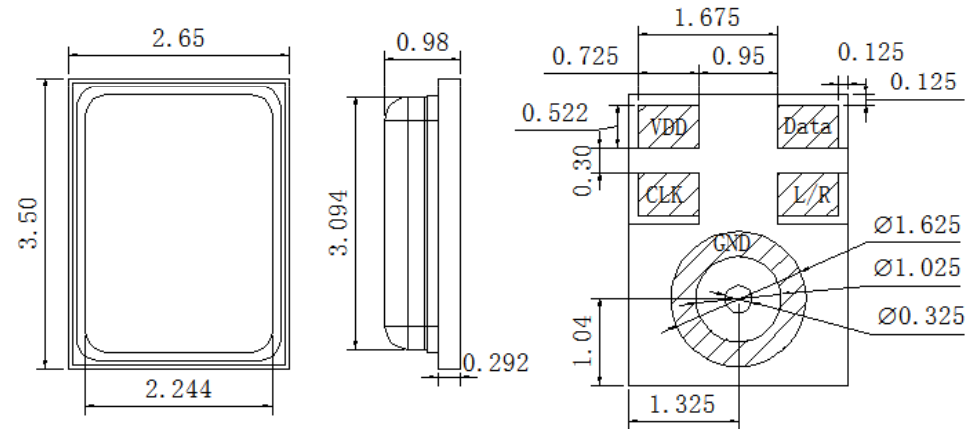
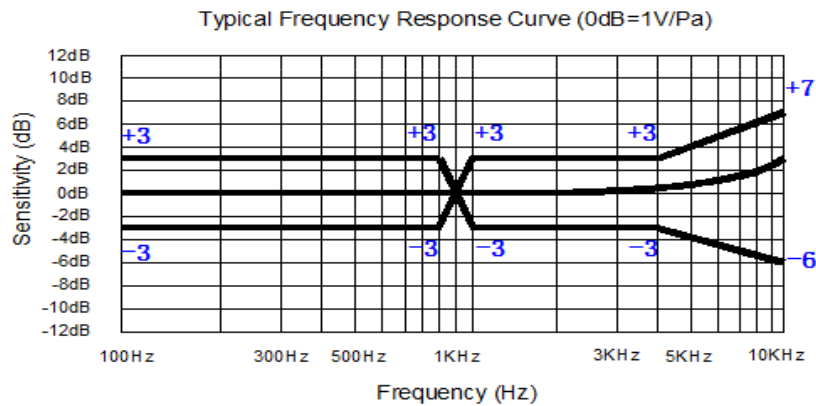


Sensitivity(1KHz,0dB=1V/Pa)

- 26±1dB
- 26±2dB
- 26±3dB

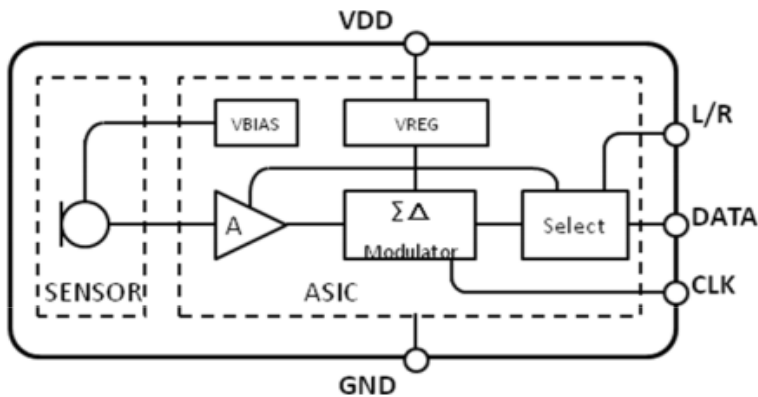
Frequency Response Curve

Dimension(mm)



Microphone Block Diagram

Specifications



- Sensitivity: See above
- Current consumption : 600-700uA
- Operating Voltage: 1.2V-3.6 V
- Signal to Noise Ratio : TYP 65dB
- Acoustic Overload Point : Typ 120dBSPL
- Directivity: Omnidirectional

TSMD-4030F

Omnidirectional digital MEMS Microphone

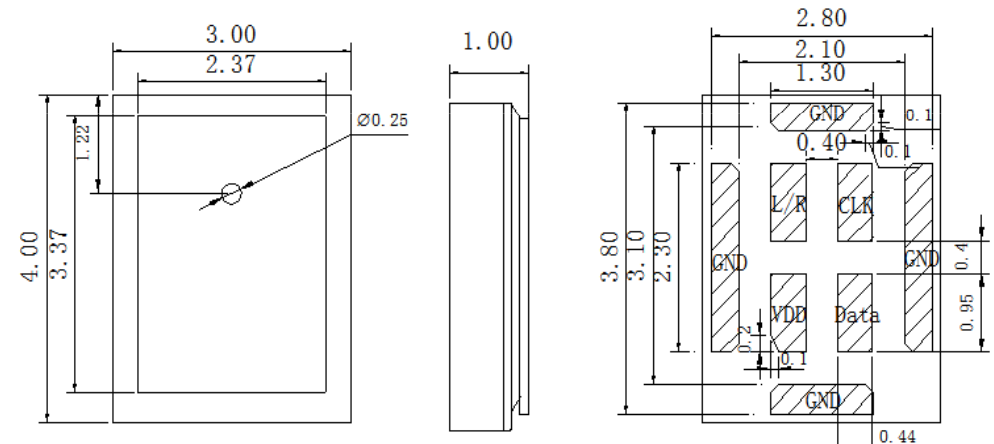
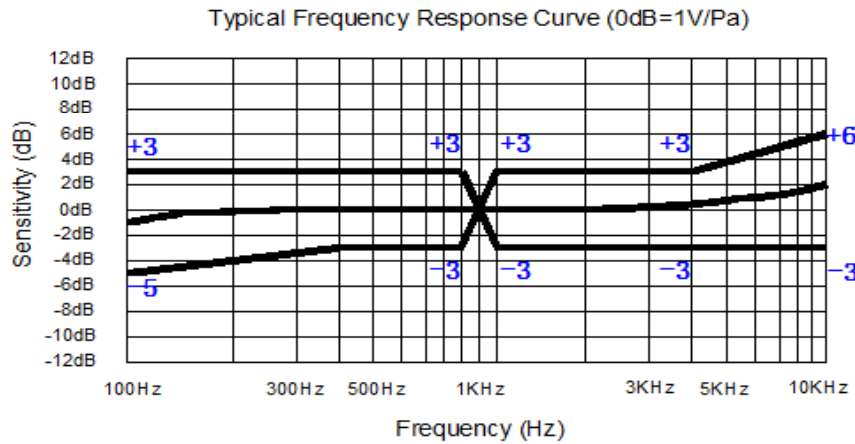


Sensitivity(1KHz,0dB=1V/Pa)

-26±1dB  
-26±2dB  
-26±3dB

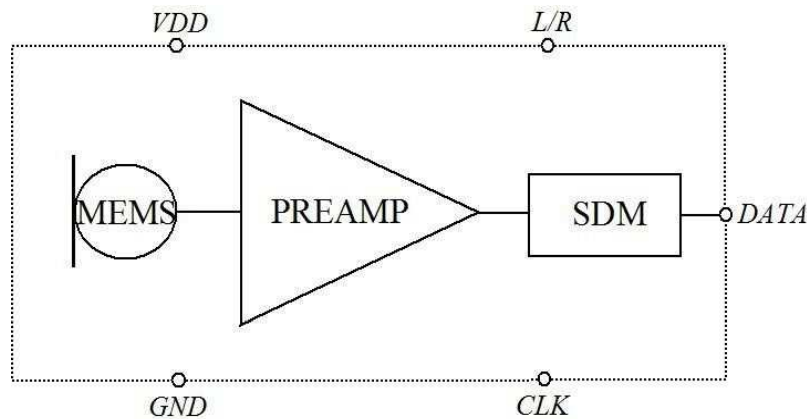
Frequency Response Curve

Dimension(mm)



Schematic Diagram

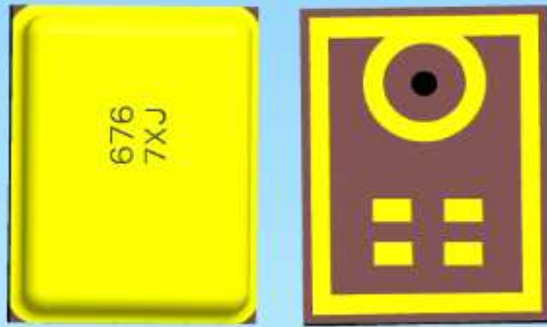
Specifications



Sensitivity: See above  
 Current consumption :Typ 650uA  
 Operating Voltage: 1.6V-3.6 V  
 Signal to Noise Ratio: Typ 56dB  
 Acoustic Overload Point : Typ 115dBSPL  
 Directivity: Omnidirectional

TSMD-4030B

Omnidirectional digital MEMS Microphone

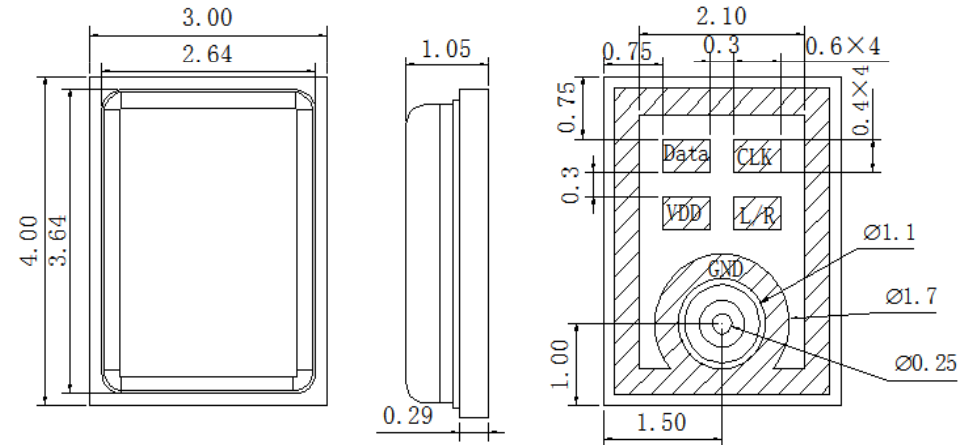
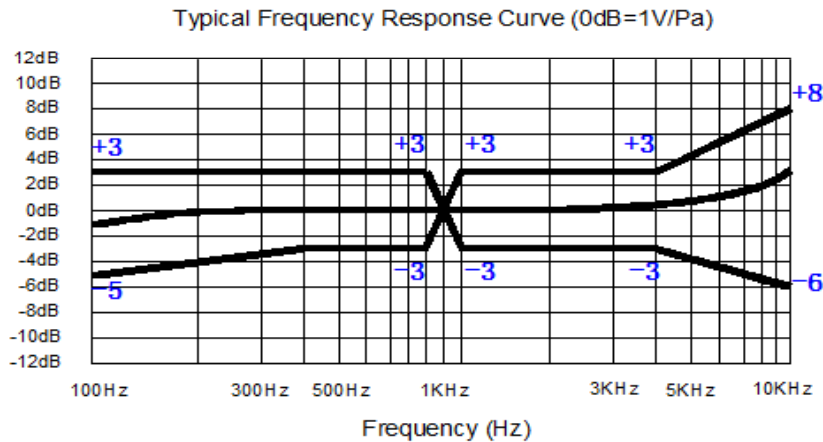


Sensitivity(1KHz,0dB=1V/Pa)

-26±3dB

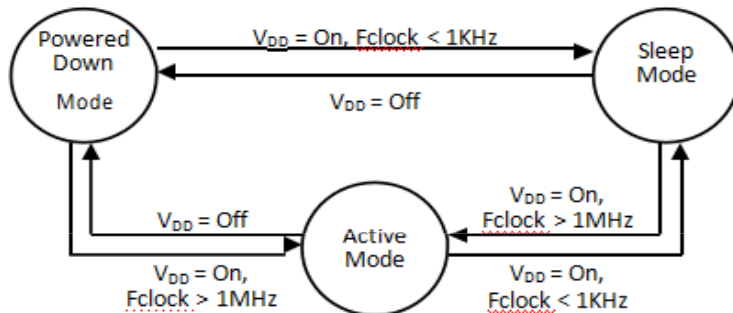
Frequency Response Curve

Dimension(mm)



Schematic Diagram

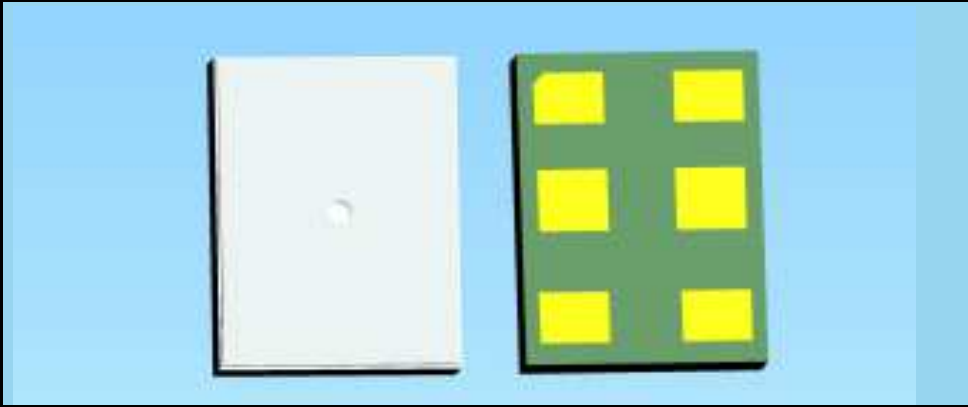
Specifications



Sensitivity: See above  
 Current consumption : 0.8-1.5mA  
 Operating Voltage: 1.6V-3.6 V  
 Signal to Noise Ratio: Typ 65dB  
 Acoustic Overload Point : 120dB SPL  
 Directivity: Omnidirectional

TSMD-2920F

Omnidirectional digital MEMS Microphone

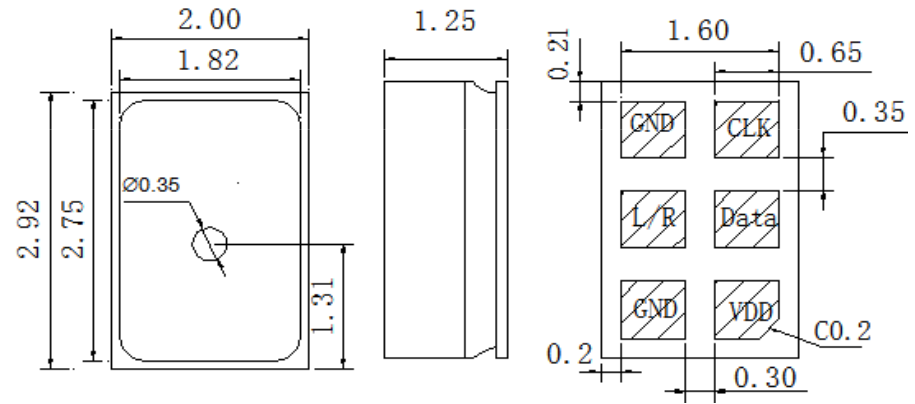
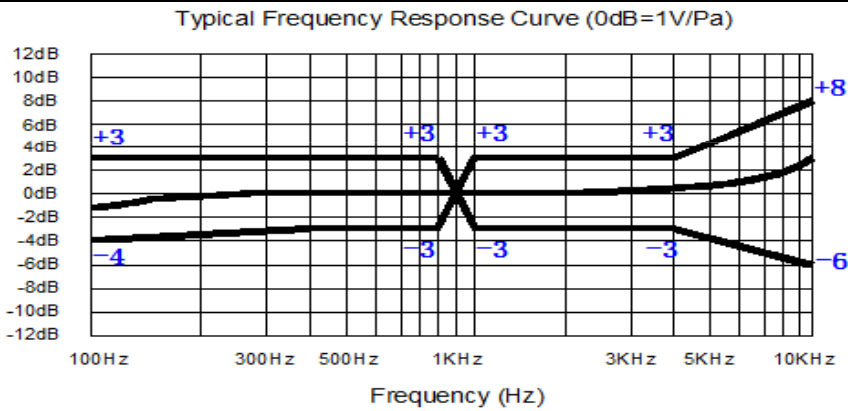


Sensitivity(1KHz,0dB=1V/Pa)

-22±3dB

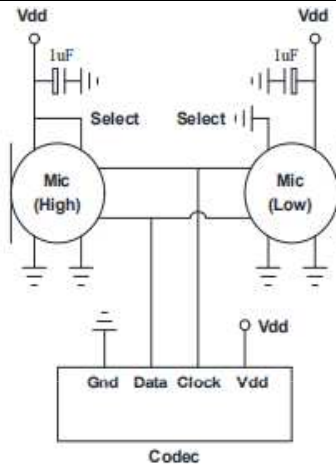
Frequency Response Curve

Dimensional(mm)



Typical Application Schematic

Specifications



Sensitivity: See above  
Current consumption : Typ 1.2mA  
Operating Voltage: 1.64V-3.6 V  
Signal to Noise Ratio : Typ 62dB  
Acoustic Overload Point: 120dB SPL  
Directivity: Omnidirectional